



**INDUCTION
COOKERS**

**INSTRUCTION FOR INSTALLATION AND USE
DIE GEBRAUCHS UND INSTALLATIONSANWEISUNG
NOTICE D'INSTALLATION ET D'EMPLOI
NÁVOD K OBSLUZE A INSTALACI
INSTRUKCJE MONTAŻU I OBSŁUGI**



**SPI 704 E, SPI 704 ES, SPI 704 E WOK, SPI 708 E, SPI 708 ES, SPI 740 E,
SPI 740 ES, SPI 740 E WOK, SPI 780 E, SPI 780 ES**

CE
1015-22

www.rmgastro.com





CONTENT

Declaration of a standards conformity	7
Instruction for use	15
Cleaning and maintenance	16



INHALT

Die Normenübereinstimmungsdeklaration	23
Gebrauchsanweisung	31
Die Reinigung und Instandhaltung	32



CONTENU

Déclaration de conformité	39
Mode d'emploi	46
Nettoyage et entretien	47



OBSAH

Prohlášení o souladu s normami	60
Návod k použití	69
Čistění a údržba	70



TREŚĆ

Oświadczenie o zgodności z normami	77
Instrukcja obsługi	80
Czyszczenie i konserwacja	81

SAFETY INSTRUCTIONS

Read these instructions carefully. Keep the instructions for installation and use for use at a later date or for the next owner. Try operating the appliance after unpacking it. Do not connect the appliance if it has been damaged during transport. Describe the damage in writing and call customer services otherwise your warranty will expire. The appliance must be installed according to the appended instructions for installation. The appliance is only intended for cooking food. Monitor the appliance during operation. Only use it in enclosed areas. Do not place any covers on the hotplates, these could cause injury due to overheating, combustion or cracking for example. Do not use any inappropriate protective equipment or child-proof gratings, these could cause injury. This appliance is not intended for operation with an independent timer or remote control.

If you are fitted with a pacemaker or other electronic medical equipment, be careful, because you will be located within the machine's induction field after switching the hob on. Ask your doctor or the manufacturer of the medical device whether your device's operation will be disrupted or whether it will not be affected.

Risk of fire!

- Hot oil and fat combusts readily. Never leave hot oil or fat without supervision. If a fire occurs, never try to extinguish it with water. Switch the hob off and smother the flames carefully with a saucepan lid, fire blanket or other similar method.
- The hotplates are very hot. Never place any flammable items on the cook top. Do not store any items on the cook top.
- The appliance is hot. Never keep flammable items or sprays on the cook top itself.

Risk of burns!

- The hotplates and their surrounding area, particularly potential frames, are hot. Never touch the hotplates. Do not let children close to the appliance.
- If the hotplate radiates heat, but the display does not work, switch the fuses off. Call customer services.
- Metal items on the cook top heat up very quickly. Never place metal items, such as knives, forks, spoons and saucepan lids, on the cook top.
- Switch the hotplate off using the main switch after every use. Do not wait for the cook top to switch off automatically, because there is no cookware on it.
- Risk of electric shock! Unauthorised repairs are dangerous. Repairs may only be carried out or damaged wires replaced by a customer service technician trained by us. If the appliance malfunctions, remove the plug from the socket or switch the circuit breaker. Call customer services.
- If moisture enters the appliance, this may cause injury by electric shock. Do not use high-pressure cleaners or steam cleaners.
- Malfunctions of the appliance may cause injury by electric shock. Never switch a malfunctioning appliance on. Remove the plug from the socket or switch the circuit breaker. Call customer services.
- Cracks or fissures in the glass ceramic surface may cause injury by electric shock. Switch the circuit breaker. Call customer services.

Risk of damage!

- The cook top is fitted with a ventilator beneath it. Adhere to the instructions for installation of the appliance in relation to air supply.

Warning!

- The rough bottoms of pots and pans will scratch the cook top.
- Never place empty cooking ware on the cook top. This could cause damage.
- Do not place hot pots or pans on the control panel, display or hotplate frames. This could cause damage.
- Damage could be caused by hard or pointed items falling on the cook top, display or hotplate frames.
- Aluminium foil and plastic containers will melt on the hot hotplates. We do not recommend using protective foil in the oven.

SAFETY INSTRUCTIONS

General warning symbol

There is a risk of danger (injury) if the safety regulations are not adhered to.



This symbol warns against dangerous voltage. (image 5036 IEC 60417-1)



This symbol warns against non-ionising electro-magnetic radiation (image 5140 IEC 60417-1)

Warning

Minor injuries or damages may be caused if the appliance is used in conflict with its purpose, or during unauthorised manipulation.

The warning symbols found on the appliance itself must be adhered to and must be kept legible.

Warning

Before using or maintaining the appliance you must read the instructions for use.

Risks arising from failure to adhere to the safety regulations

Failure to adhere to the safety regulations may endanger the safety of people, the surrounding area and the appliance itself. You are not entitled to compensation of damages in the event of failure to adhere to the safety regulations.

Failure to adhere to the safety regulations may specifically cause the following hazards

(Examples):

- Risk of electric shock
- Risk to people from hot cookware
- Risk to people from hot hotplates (glass ceramic)

Safe use

The safety regulations contained in these instructions for use, valid national regulations for working with electric appliances and for preventing injury and the in-house work and safety regulations, must be adhered to.

- **Warning!** The cookware you cook in may only be placed on the hotplate so that its bottom does not overlap the perimeter of the hotplate. No hot pots or pans may be placed on the control panel, display or frame. Failure to follow this instruction may result in damage to the cookware and appliance.
- **What will happen:** the cookware will melt, or fuse together, the material in the gap between the appliance and the work surface will burn away due to the heat from the pots, which will ruin the seal and moisture and grease will begin to enter the appliance, which may lead to its malfunction, malfunctions of the display and control panel.
- If the glass ceramic surface is cracked or broken, the hob must be switched off and disconnected from the power supply. Do not touch any parts inside the induction hob.
- The glass ceramic surface heats up when cookware is placed on it. In order to prevent injury (burns), do not touch the glass ceramic surface.
- Please monitor hot food and fluids.
- **WARNING:** we point out that the floor in the area surrounding the appliance may be slippery. This may cause injury.
- In order to prevent the cookware overheating by heating it when empty, do not heat it without supervision or without containing foodstuffs.
- Switch the hotplate off if you remove the cookware. This means you will avoid the hotplate automatically switching on as soon as you place cookware on it again. You will avoid the cookware from heating up without supervision. If someone wants to use the hob, he/she will have to switch it on again by turning the regulator to “on”.
- Do not use the hotplates as a storage area!
- Do not place any paper, cardboard, fabric, etc. between the cookware and glass-ceramic surface, this could cause a fire. Aluminium foil and plastic containers must not be placed on hot surfaces.
- You must realise that various items worn by the user, such as rings, watches etc. may heat up significantly if near the cook top.
- The hotplate must be switched off using the switch after use – do not rely on the cookware recognition system.
- Do not place credit cards, telephone cards, cassettes or other items sensitive to magnetic fields, on the glass-ceramic surface.
- Only the recommended types and sizes of cookware may be used.
- Induction hobs have an internal cooling system. Make sure that the air supply and off take vents remain unrestricted (by fabric for example), do not cover them. This could cause the appliance to overheat and switch off.
- Prevent fluids from entering the hob and water or other fluids from boiling over the edge of cookware. Do not clean the hob using a jet of water.

Unauthorised manipulation and use in conflict with the purpose of the appliance

Correct and reliable functioning of the appliance will only be assured if it is used correctly. Limit values given in the appliance’s technical data must not be exceeded or reduced under any circumstances.

Modification / Use of spare parts

Contact the manufacturer if you need to make any modifications to the appliance. In order to guarantee your safety use only the original spare parts or accessories approved by the manufacturer. The warranty expires if you use non-original components. **During disassembly, testing and repairs you must make sure the appliance is in a stable position.**

Warning! When replacing spare parts, the induction cooker must be “visibly disconnected” from the power supply.

RECOGNITION OF COOKWARE

Containers with a diameter of less than 12 cm will not be recognised. The LED pilot light will light up during operation or the digital display shows the chosen power setting (1-9). No power setting will be shown if the appliance is operated without cookware or if the container was not recognised or if it is made from unsuitable material. The pilot light will flash briefly or the display will show a message stating that no cookware was recognised. See error messages.

Monitoring of the heating zone

The heating zone is monitored by a temperature sensor placed beneath the glass ceramic surface (the middle of the hotplate). Overheated cookware (hot oil, empty pans) are recognised and the current supply is interrupted. The cooker renews the current supply to the cookware only when the temperature falls to normal values.

Warning! Only the hob is protected against overheating, not the cookware. An overheated container is only recognised when the glass ceramic surface reaches a temperature during which the appliance is switched off (260 °C).

Causes of noise

The cooling ventilators can be heard, they switch off and on when the appliance is being operated.

GENERAL INSTRUCTIONS

These instructions for use contain basic information, which must be taken into consideration during installation, use and maintenance. The installer and user must read the instructions for use completely before installing the appliance and putting it into use and these instructions must be stored near the hob so that they are available for viewing at any time.

Use

The induction hob is intended for cooking food. It may be used to boil, heat, flambé, grill, etc. Warning: only containers made from induction material may be used on the induction hob. Only materials we recommend and which are suitable for professional use may be used for making the cookware. The whole bottom of the container must be magnetic. If in doubt try testing the cookware with a magnet.

DECLARATION OF A STANDARDS CONFORMITY

The producer confirms that the devices agree with 2004/108/ES, 2006/95/ES standards, rule nr. 616/2006 sb., 17/2003 sb. and with relevant government orders. Installation must be done with respect to valid standards. Attention, the producer refuses any responsibility in case of direct or indirect damages which are caused due to wrong installation, incorrect intervention or modification, insufficient maintenance, incorrect use and also possibly caused by other reasons presented by items in sale conditions. This appliance is set only for skilled use and must be operated by qualified persons only. Parts set and secured by the producer or accredited person must not be rebuilt by user.

TECHNICAL DATA

Label with technical data is placed on the back side of the device. Study the electrical diagram of connection and all following information before installation.

MODEL	VOLTAGE (V/Hz)	WATTAGE (kW)	HOTPLATES (kW)	DIMENSIONS (cm)	WIGHT NETTO (kd)
SPI-704 E	400/3N/50	7	2 x 3,5	40x73x30 v	37
SPI-704 ES	400/3N/50	10	2 x 5	40x73x30 v	42
SPI-704 E WOK	230/50	7	2 x 3,5	40x73x30 v	43
SPI-708 E	400/3N/50	14	4 x 3,5	80x73x30 v	69
SPI-708 ES	400/3N/50	20	4 x 5	80x73x30 v	77
SPI-740 E	400/3N/50	7	2 x 3,5	40x73x90 v	49
SPI-740 ES	400/3N/50	10	2 x 5	40x73x90 v	68
SPI-740 E WOK	230/50	7	2 x 3,5	40x73x90 v	41
SPI-780 E	400/3N/50	14	4 x 3,5	80x73x90 v	89
SPI-780 ES	400/3N/50	20	4 x 5	80x73x90 v	94

PACKING AND DEVICE CHECK

The device leaves our stocks properly packed with appropriate symbols and labels. There are also appropriate instructions for use. In case the packing shows bad handling or damage, it must be reclaimed at transporter immediately by writing and signing of a damage protocol.

Important notice:

- only for professional use
- this instructing guide must be read properly and carefully because it contains important information about safety elements, installation, use
- these recommendations refer to this product
- this product corresponds with valid standards
- this guide must be properly deposited for future use
- keep the children away from manipulation with the product
- when selling or moving the product to another place it is necessary to make yourself sure that the staff or the professional service has got acquainted with control and installation instructions from enclosed guide
- only authorised person can operate the product
- it can not be switched on without supervision
- we recommend to have the product checked by professional service min. once a year
- only original spare parts can be used for repairs
- the product can not be cleaned by the water jet or pressure shower
- by damage or break down disconnect all the feeders (water, gas, electricity) and call professional service
- producer refuses any responsibility in case of damages caused by wrong installation, by disobeying of above mentioned recommendations or by other use etc.

PLACEMENT

The device must be installed in well ventilated room what is necessary for regulation of the function of the device (technician must go by valid standard (EN....). If the device is situated close to the wall or if it is in contact with the furniture walls, these walls must resist the temperatures ranging to 90°C. Installation, setting, putting into operation must be done by qualified person who is competent for this and according to the valid standards.

Wrap up the device and check whether it was not damaged during transport. Settle the device on horizontal surface (max imbalance 2°).Settle the device under the fumehood to eliminate water steam and bad smell. The device can be installed separately or in a set with devices of our production. Min. distance 10 cm from other subjects must be kept.It is also necessary to prevent our product from contact with combustible materials. In this case you must make corresponding changes to secure heat izolation of combustible parts. Safety measures from the standpoint of the fire protection according to EN 061008čl. 21:

TECHNICAL INSTRUCTIONS FOR INSTALATION AND REGULATION

Important:

The manufacturer does not provide warranty for defects caused by improper use, failure to instructions contained in the attached instructions for use and mistreatment of the appliances.

Installation, adjustment and repair of appliances for kitchens, as well as their removal because of possible damage to the gas can be carried out only under a maintenance contract, this contract may be signed with an authorized dealer, and must be complied with regulations and technical standards and regulations regarding the installation, power supply, gas connection and health & safety system.

These instructions are intended for the qualified technician who must perform the installation, put it into operation and test the appliance.

Any activity as settings, placement, rebalancing etc, must be made only when is device disconnected from electricity. If it is necessary to have the device connected to the electricity you must keep the highest attention to avoid any injuries.

DEVICE INSTALATION

Instalation, setting, rebuilding for another gas type, putting into operation must be done by qualifi ed person whois competent for this and according to the valid standards. The device can be installed in good ventilated room. When it is possible place the device under the fumehood to suck off the products of combustion. Air needy to the burning is 2m³/h/kW ot the performance of the instaled device. The device can be installed separately or in a set with devices of our production. Min. distance 10 cm from other subjects must be kept.It is also necessary to prevent our product from contact with combustible materials. In this case you must make corresponding changes to secure heat izolation of combustible parts (for example:place between the device and combustible material azbestos plate).

CONDITION FOR INSTALLATION

The induction hob must be installed into a level surface using the installation frame. The air supply and offtake vents must not be covered. The surface into which the cooker is to be installed must be capable of supporting at least 100 kg. The fixtures for disconnecting the appliance from the mains must be easily accessible.

Installation regulations for the built-in model

The following points must be adhered to:

- make sure that the voltage in the mains corresponds to the data given on the appliance type sticker.
- Installation must comply with local regulations about electrical installation in buildings. The valid national regulations about electrical appliances must be adhered to.
- The induction hob is fitted with a supply cable, which may be connected using a plug inserted into a socket.
- If a safety switch is used, it must be calibrated for short-circuits to at least $I\Delta n = 30 \text{ mA}$.
- Prevent blockage of the air supply and offtake vents by items (fabric, wall, etc.)
- Prevent hot air from being drawn into the appliance from the area surrounding the induction hob (multiple appliances next to each other, near the grill or oven). Otherwise an air-supply channel must be used.
- The cooker has a filter, which cleans the air draw into the appliance. In spite of this you must make sure that the surrounding air drawn in to the induction appliance does not include greasy vapour coming from work activities on other appliances (fryers, grills, etc.).
- The temperature of the drawn in air must be less than $+35 \text{ }^\circ\text{C}$.
- The users must make sure that all installation, maintenance and inspection work is carried out by the authorised professional personnel.
- The intake air must be drawn into the channel and through the filter, which is part of the delivery, directly to the ventilator. The cross section of the intake vent must be at least 200 cm^2 per electronic unit.
- No closed air circulation may occur. The air leaving the hob must never be drawn into the appliance again, otherwise the hob continues to heat up.
- Installation of the appliance must be tested for reliability in practice. In order to do this you must establish the maximum temperature of the cooling radiator. This is measured on the radiator panel below the induction spiral. The temperature must not exceed $65 \text{ }^\circ\text{C}$ during extended operation (at least 2 hours) and an ambient temperature of $20 \text{ }^\circ\text{C}$.
- The supply cable must be shielded with clean contacts on both ends.
- Equipment used to disconnect the cooker from the mains should be switched on and off a maximum of 5 times a day.
- Before performing maintenance or replacement of components, the appliance must be disconnected from the power supply. If this is executed by removing the plug from the socket this must clearly be pointed out and there must be easy access to the socket from all sides so that users can check that the plug is still out of the socket from any position they have access. If this is not possible due to the design of the appliance or due to the method of installation, disconnection must be secured by attaching the removed plug so that it cannot be reinserted by mistake.

The induction hobs are equipped with a cable with plug, which meets national regulations.

Make sure that the plug is correctly attached to the cable:

The legal regulations of the specific country must be adhered to when connecting the appliance to the mains!

Warning

Incorrect voltage may damage the induction hob

Warning

The appliance must be connected by an expert

PUTTING THE APPLIANCE INTO OPERATION


Installation

The induction hob is fitted with a supply cable. It must be connected to a socket or to a box in the wall. Only authorised specialist companies may perform electrical installation and specific national and local regulations must be adhered to while doing so. The company performing installation is responsible for correctly connecting and installing the appliance in compliance with the safety regulations. Warning and type labels must be explicitly respected.

RM GASTRO s.r.o., Jeneč
provoz
Veselí nad Lužnicí
Made in EU



Model	SPI- 708 ES	
ITEM	117261030	
Příkon_2	20 kW	230V~/50-60 Hz
Sériové číslo:	16030002	



Make sure that the mains voltage complies with the voltage given on the appliance type label.

When situating or installing the cooker right next to a wall, partition, kitchen furniture, decorative panelling etc. it is recommended that these be made from inflammable materials, otherwise they should be protected by a layer of appropriate inflammable heat insulating material. Fire regulations must be strictly adhered to!

The induction hob must be installed into a clean and level surface (table, kitchen unit, etc.) in its final location. It must be installed so that it cannot be moved. The **“Conditions for installation”** must be adhered to.

Remove all items from the heating zone. Make sure that the heating zone is not cracked or broken. Immediately stop operating the appliance if the glass ceramic panel is cracked or broken and immediately switch the appliance off and remove the plug from the socket.

Before you connect the cooker to the mains, turn the power regulator to the “off” (0) position.

Warning

Hot pans transfer heat to the heating zone. In order to avoid injury do not touch the heating zone.

Use a pan suitable for use with induction, with a diameter of at least 12 cm.

In order to test the appliance's function you must first of all switch it on and then proceed as described.

Place a pan in the middle of the heating zone and pour some water into it.

- **With LED** Turn the power regulator to "on" (a position between Min and Max). The green LED bulb will flash (power level 10% - 30%) or light up continuously (power level 30% - 100%), the water will heat up.
- **With a digital display** (1-9) Turn the power regulator to "on" (a position between Min and Max). The Display will show the chosen power setting between 1-9.
- **With LED** When you remove the pan from the heating zone, the green LED must flash (seeking cookware).
- Replace the pan back on the heating zone; the bulb will light up again and start heating the water.
- Turn the power regulator to position "0". The appliance will stop heating the pan and the bulb will switch off.
- A lit bulb means that energy is being transferred to the pan.
- **With digital display** (1-9) When you remove the pan from the heating zone, the display must show the symbol indicating that it is seeking cookware – **see Error messages.**
- Replace the pan back on the heating zone; the display should show the chosen power setting and the appliance will start heating again.
- Turn the power regulator to position "0". The appliance will stop heating and the display will switch off.
- A number on the display shows that energy is being transferred to the pan.

If the bulb or digital display remain off or flash only briefly, try the following options:

- Is the appliance connected to the mains or is the main switch off?
- Is the power regulator set to the "on" position?
- Are you using a pan suitable for induction (try a magnet on it), with a diameter of at least 12 cm?
- Is the pan placed in the middle of the heating zone (with the exception of appliances with x-y spirals)?

In order to establish whether the material the pan is made from is suitable for induction appliances, use a magnet, which must remain attached to the bottom of the pan. If this does not happen, your pan is not suitable for induction appliances.

Use a pan suitable for induction.

If the appliance still does not function, view the Malfunctions/repairing malfunctions item.

REQUIREMENTS PLACED ON THE ENVIRONMENT

- max. ambient temperature

Storage > -20 °C to + 70°C

operation > -5 to +35°C

- max. relative air humidity

storage > 10% to 90%

operation > 30% to 90%

SAFETY MEASURES FROM THE STANDPOINT OF THE FIRE PROTECTION ACCORDING TO EN 061008 ČL. 21

- only adults can operate the device
- device must be safely used in common surroundings according to EN 332000-4-462; EN 332000-4-42. You must switch the gas device off under the circumstances leading: to the danger of the temporary rise of the combustion gas or steam or during works when there is a big possibility of rise of the temporary fire danger or explosion (for example: to stick linoleum, PVC etc.).
- before you start to instal the device you must get the licence for connection to the gas feeder from the gasworks
- device must be placed so as to stand or hang on the noncombustible surface which is on each side 10 cm larger than the device. No subjects from combustible materials can be placed directly on the device or in distance which is shorter than safety distance (the shortest distance is 50 cm in the direction of the heat emission and 10 cm in other directions).- safety distances from various materials of different degree of combustion and information about the degree of comb. of common building materials - see chart:

Chart:

Combustion degree of building materials classified according to the combustion degree of materials and products (EN 730823)

A noncombustible	granit, sandstone, concretes, bricks, ceramic wallfacing tiles, plaster
B uneasily combustibile	akumine, heraklite, lihnos, itavere
C1 hardly combustibile	leafy wood, plywood, sirkoklit, rare paper formica
C2 middle combustibile	fibreboards, solodure, cork boards, rubber, floor-coverings
C3 easily combustibile	wood-fibreboards, polystyrene, polyurethane, PVC

Devices must be instalated in a safe way. When instaling you must respect corresponding project, safety and hygienic orders according to:

- EN 061008 fire protection of local devices and sources of heat
- EN 332000 (33 2000-4-482; 33 2000-4-42) surrounding for electric devices ČSN EN 1775 Gas supplying
- Gas fi ttings in the buildings - the highest operational pressure < 5 bar - operation demands
- § 10 law nr. 185/2001 Sb. about waste

CONNECTION OF THE ELECTRIC CABLE TO THE ELECTRICITY

Installation of electric feeder - This feeder must be separately protected by a safety fuse according to the specific electric stream which depends on the wattage of the installed device. Check the wattage on the label at the back of the device. Connect the device directly to the electricity but you must put the switch between the device and electric net. The switch must be placed in min. distance 3 mm between the particular contacts according to the standards and loading. The feeder of grounding (yellow-green) cannot be interrupted by this switch. In every case feeding cable must be placed so that no point of the cable will reach the temperature which is 50°C higher than the temperature of the surrounding. Before connecting the device check that:

- safety fuse of the feeder and inner mains can stand the loading of the device (see label of the matrix)
- mains are equipped with effective grounding according to standards (ČSN) and conditions given by law
- socket or switch of the feed is well accessible from device

We refuse any responsibility in case of not respecting above mentioned rules. Before the first use it is necessary to remove all the protection foil and to clean the device - see chapter „cleaning and maintenance“.

Maintenance: We recommend to have the device checked once a year by the professional service. Only qualified or competent persons can do interventions in the product.

OPERATION

Cooking process

The cooker is immediately capable of operation. A lit or flashing bulb shows that energy is being transferred to the pan. Choose the setting by turning the power regulation button. Induction transfer of power depends on the position of the potentiometer.

Position MIN > minimum power
Position MAX > maximum power

Due to the following circumstances the cook must be more attentive than when cooking using ordinary systems. As soon as you change the power setting by turning the regulator button, the food being cooked immediately responds. Empty pans and pots quickly heat up. NEVER place empty containers on the glass ceramic surface. Put liquid or fat in them first and then start cooking. Set the power setting using the rotating button so that it precisely corresponds to the required cooking method. The container must always be placed in the middle of the heating zone (apart from appliances with a surface wide sensor), otherwise the bottom of the container will not be heated uniformly. When heating oil or fat regularly check the container to prevent it from overheating and the oil or fat combusting.

Warning! The cookware you cook with may only be placed on the hotplate so that the bottom does not overlap its perimeter. Hot pans or pots must not be placed on the control panel, display or frame. Failure to adhere to this instruction will cause damage to the cookware and the appliance. What will happen: the cookware will melt, or fuse together, the material in the gaps between the appliance and the work surface will be burned away by the heat from the cookware and destroy the seal and moisture and grease will enter the appliance, which may lead to malfunction of the appliance., malfunctions of the display and control panel.

Convenience

The induction cooker transfers energy only if a container is located in the heating zone. The position the power regulator is set too has no effect on this. When you remove a pan from the heating zone, transfer of energy is immediately interrupted. When you replace the pan, the chosen power setting is transferred to the pan again. If you switch the appliance off by turning the regulator, you will stop the cooking process. However, the cooker remains ready for use (Standby), the power supply is only switched off when you remove the plug from the socket or switch the main switch off.

Software version

Starting the generator

seconds	explanation
1	8. (segment test)
2	F or P (operating Frequency or Pulses)
3	2. (First software version)
4	1 (Second software version)
5	9 (Third software version)

Normal operation

In the standby regime (the potentiometer switched off) the decimal point flashes every two seconds. When the potentiometer is switched on, the appliance initially seeks out cookware: the symbol U and the decimal point mean that the appliance is looking for cookware (after 1 minute it goes into savings mode and sends out search impulses every 5 seconds).

When a pot is recognised, the display shows the power setting 1-9.

Significance of the decimal point:

lit up	= operation
1 s pulse	= restriction due to the excessively high temperature of the cooling radiator
½ s pulse	= restriction due to the excessively high temperature of the spirals/cookware
¼ s pulse	= restriction of power
1/10 s pulse	= restriction of power during non-optimal cookware material

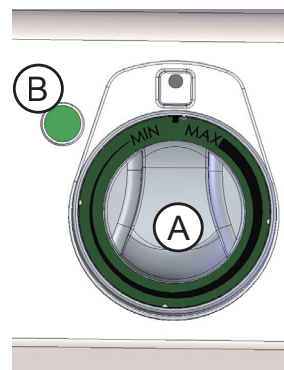
INSTRUCTION FOR USE

- Before connection to electricity is very important to have all knobs in position „0“.
- The first switching on of the device must be performed in a well-ventilated room. The “burning of plates” takes about 30 minutes. After these 30 minutes the device is ready for operation.

When starting operation, switch on the appliance's main switch, which is located outside the appliance. During operation, control the appliance using the regulation buttons only. If you are not using the appliance for an extended period, switch the main switch off.

Turn the knob (A) and adjust the required performance. The pilot lamp (B) will light. The pilot lamp (B) lights when the device is connected to the electricity and switched on. Switch the device off by turning the knob (A) into position „0“.

The pilot light will flash when the appliance is on, signalling that the hotplate has been switched on. The pilot light remains lit after an item of cookware has been placed on the hotplate. A continuously lit pilot light signals that energy is being transferred to the cookware.



WARNING!

- ALWAYS PLACE COOKWARE IN THE MIDDLE OF THE HOTPLATE
- COOKWARE MUST NOT OVERLAP THE PERIMETER OF THE GLASS WORK SURFACE
- THE HOB ONLY WORKS WITH COOKWARE INTENDED FOR COOKING BY INDUCTION
- NEVER PLACE EMPTY COOKWARE ON THE HOB
- THE APPLIANCE ONLY RESPONDS TO CONTAINERS OF A MINIMUM DIAMETER OF 12 CM

TERMINATING OPERATION

If you are not using the induction hob, make sure that the main switch or power regulator has not been switched on by mistake. If you are not using the hob for an extended period (several days) remove the plug from the socket and switch the main switch off. Prevent any fluid from entering the hob, do not clean it using fluids.

CLEANING AND MAINTENANCE

ATTENTION! The device cannot be cleaned by direct or pressure water. Clean it daily. Daily maintenance keeps longer useful life and efficiency of the device. Before cleaning make sure to have disconnected the device from electricity. Always switch off the main feeder to the device. Stainless parts wash with moist cleaning cloth and non abrasive detergent than dry it by the cloth. Do not use abrasive and corrosive detergents. All food residues must be removed from the surface, you can use scraper.

- Grease and scale can be cleaned off using recommended products such as Polychrom, Sloginchrom, InoxCrème, Vif Super-Reiniger, Supernettoant.
- We recommend you clean the appliance mechanically using a razor blade or non-abrasive sponge.
- The glass ceramic surface must not be cleaned using products containing abrasive particles, scouring pads, or sponges with a rough abrasive surface, which may damage the cook top.

Fluid must be prevented from entering the appliance during cleaning.

WHAT TO DO IN CASE OF BREAK-DOWN

Switch off the electric feeder and call seller's professional service.

INDICATION

Guarantee does not cover all consumption parts succumable to common wear (rubber seals, bulbs, glass and plastic parts etc.). The guarantee does not refer to the devices which were not installed in correspondence with instructions - by qualified worker, in conformity with standards and when somebody handled incompetently the device (interventions into inner equipment) or the device was operated by non qualified staff or at variance with instructions for use. Guarantee does not also cover the damages caused due to influence of nature or other outer intervention.

WARNING: the appliance must be disconnected from the mains during cleaning or maintenance and replacement of parts.

The induction cooker may only be opened by trained servicing personnel. Finish all work, if the glass-ceramic surface is cracked or broken, the induction cooker must be switched off immediately and the plug removed from the socket. Do not touch any of the inner parts of the appliance.

Warning

Do not open the induction cooker!

Live voltage hazard!

Malfunction	Possible cause	Precautions by users or servicing personnel
The hotplate does not heat up The bulb is not lit	No power supply	Check whether the appliance is connected to the mains (the plug is in the socket) and whether the main switch is on.
	The power regulator is in the "off" position	Turn the power regulator to the "on" position
	The main switch is OFF	Switch the main switch on
	The pan is too small (bottom diameter less than 12 cm)	Use a suitable pan
	The pan is not in the middle of the heating zone (the pan could not be recognised)	Move the pan to the centre of the heating zone
	Unsuitable pan	Choose a pan suitable for induction* 1
	The induction cooker is broken	Contact your supplier to request servicing. Remove the plug from the socket.
Insufficient heat output	The pan used is not ideal	Choose a pan suitable for induction. Compare with the results of "your" pan.
	The ambient temperature is too high (the cooling system is not capable of keeping the hotplates at operating temperature *2)	Ensure that no hot air is being drawn into the appliance. Reduce the ambient temperature. The temperature must not exceed 40 °C / 115 °F.
	One phase is missing	Test the circuit breakers and fuses.
	The induction cooker is broken	Contact your supplier to request repair services. Remove the plug from the socket.
No response to the setting regulator being turned	The regulator is broken	
The heating switches off and on within several minutes. The ventilator is running.	The cooling system is blocked/malfunctioning	Ensure that the air intake and off take vents are not blocked.
	Ventilator dirty.	Clean the ventilator.
The heating switches off and on within several minutes. The ventilator is not running.	Ventilator malfunction or ventilator control malfunction	Contact our supplier to request repair services. Remove the plug from the socket.
The heating switches off and on within several minutes. (after an extended period of operation without interruption).	The spiral is overheated. The cooking zone is too hot.	Switch the cooker off, remove the cookware and wait until the cooking zone cools.
	Empty container	
	Overheated oil in a pan	
Small metal items (e.g. spoons, knives) are heating in the cooking zone	Incorrectly configured cookware recognition	Test the control panel (only the supplier's servicing personnel).

*1) In order to find out whether the pan material is suitable for induction appliance use a magnet, which must remain attached to the bottom of the pan. If this does not happen, your pan is not suitable for use with induction appliances. Choose a pan made from material suitable for use with induction appliances.

*2) The ventilation begins running when the cooling radiator temperature exceeds 45 °C. At cooler radiator temperatures of over 70 °C the control mechanism automatically reduces output in order to maintain normal hotplate operation conditions. The induction cooker continues running at reduced maximum performance. If the cooker supply cable is damaged, it must be replaced by the manufacturer or its customer services, or another identically qualified person, in order to prevent the risk of injury.

SICHERHEITSANWEISUNGEN

! Lesen Sie diese Anleitung gründlich durch. Verwahren Sie die Montage- und Bedienungsanleitung für späteren Gebrauch oder für den weiteren Besitzer. Der Verbraucher ist nach dem Auspacken zu überprüfen. Sind beim Transport Schäden entstanden, darf der Verbraucher nicht eingeschaltet werden. Dokumentieren Sie den Schaden schriftlich und rufen den Kundendienst, ansonsten verfällt der Garantieanspruch. Der Einbau des Verbrauchers muss anhand der beigefügten Montageanleitung erfolgen. Der Verbraucher ist nur zur Speisenvorbereitung bestimmt. Behalten Sie den Verbraucher während des Betriebes unter Aufsicht. Verwenden Sie ihn nur in geschlossenen Räumen. Verwenden Sie für die Kochplatten keine Deckel. Diese könnten einen Unfall verursachen, zum Beispiel bei Überwärmung, Entflammung oder Zerspringen. Verwenden Sie keine ungeeigneten Schutzeinrichtungen oder Gitter zum Schutz von Kindern. Diese können einen Unfall verursachen. Dieser Verbraucher ist zum Betrieb in Verbindung mit einem externen Zeitgeber oder einer Fernbedienung nicht bestimmt.

Falls Sie ein Pacemaker oder einen anderen elektronischen medizinischen Gerät haben, seien Sie vorsichtig, da Sie sich nach dem Einschalten der Kochplatte in ihrem Induktionsfeld befinden. Informieren Sie sich bei Ihrem Arzt oder Hersteller des medizinischen Gerätes, ob eine Störung seiner Tätigkeit entstehen kann, oder ob das Gerät nicht beeinflusst sein kann.

Brandgefahr!

- Heißes Öl ist leicht entflammbar. Lassen Sie heißes Öl oder Fett nie ohne Aufsicht. Löschen Sie das Feuer beim Entflammen nie mit Wasser. Schalten Sie die Kochplatte aus. Lösche Sie die Flammen vorsichtig mit einem Topfdeckel, Löschdecke oder auf ähnliche Weise.

Die Kochplatten sind sehr heiß. Auf die Siedefläche dürfen in keinem Fall brennbare Gegenstände abgelegt werden. Auf der Siedefläche sind auch keine anderen Gegenstände zu lagern.

Der Verbraucher ist heiß. Brennbare Gegenstände oder Sprays dürfen nie direkt unter der Siedefläche aufbewahrt werden.

Verbrennungsgefahr!

Die Kochplatten und ihre Umgebung, insbesondere der Rahmen, sind heiß. Berühren Sie niemals die heißen Flächen. In der Umgebung des Verbrauchers dürfen sich keine Kinder bewegen.

Die Kochplatte wärmt, aber das Display funktioniert nicht. Schalten Sie die Sicherungen aus. Kontaktieren Sie den Kundendienst.

Metallische Gegenstände werden auf der Siedefläche schnell heiß. Legen Sie auf die Siedefläche keine metallischen Gegenstände, wie z.B. Messer, Gabeln, Löffel und Topfdeckel ab.

Schalten Sie nach jedem Gebrauch die Kochplatte mit dem Hauptschalter aus. Warten Sie nicht bis sich die Siedefläche automatisch ausschaltet, da sich auf ihr keine Töpfe und Pfannen befinden.

Unfallgefahr durch elektrischen Strom! Unfachmännische Reparaturen sind gefährlich. Reparaturen und Austausch beschädigter Leitung dürfen nur von einem durch uns geschulten Techniker des Kundendienstes durchgeführt werden. Im Falle eines Verbraucherfehlers sind der Stecker aus der Steckdose zu ziehen oder die Sicherungen auszuschalten. Kontaktieren Sie den Kundendienst.

Dringt in den Verbraucher feuchte ein, kann dadurch ein Unfall durch elektrischen Strom entstehen. Verwenden Sie keinen Hochdruck- oder Dampfreiniger.

Ein Verbraucherfehler kann einen Unfall durch elektrischen Strom verursachen. Schalten Sie einen schadhafte Verbraucher nie ein. Ziehen Sie den Stecker aus der Steckdose oder schalten die Sicherungen aus. Kontaktieren Sie den Kundendienst.

Risse oder Ritze in der glaskeramischen Oberfläche können einen Unfall durch elektrischen Strom verursachen. Schalten Sie die Sicherungen aus. Kontaktieren Sie den Kundendienst.

Beschädigungsgefahr!

Die Siedefläche ist auf der Unterseite mit einem Lüfter ausgestattet. Beachten Sie die Einbaueinweisungen der Luftzufuhreinrichtung.

Achtung!

Raue Boden der Töpfe und Pfannen verkratzen die Oberfläche der Siedefläche.

Stellen Sie auf die Siedefläche kein leeres Geschirr. Das kann Schäden verursachen.

Stellen Sie auf die Bedienfläche, die Displays oder Kochplattenrahmen keine heiße Töpfe oder Pfannen. Das kann Schäden verursachen.

Wenn auf die Siedefläche harte und spitze Gegenstände fallen, können Schäden entstehen. Alu-Folie und Kunststoffgefäße verschmelzen auf heißen Kochplatten. Es wird nicht empfohlen die Backofen-Schutzfolien zu verwenden.

SICHERHEITSVORSCHRIFTEN

Allgemeines Warnsymbol

Bei der Nichteinhaltung der Sicherheitsvorschriften entsteht Gefahr (Verletzung)



Dieses Symbol warnt vor gefährlicher Spannung.
(Abbildung 5036 IEC 60417-1)



Dieses Symbol warnt vor nichtionisierender elektromagnetischer Strahlung.
(Abbildung 5140 IEC 60417-1)

Achtung!

Bei unsachgemäßer Verwendung oder unfachmännischer Manipulation können kleinere Verletzungen oder Schäden Entstehen!

Die auf dem Verbraucher direkt angebrachten Warnsymbole müssen unbedingt beachtet werden und es ist zu sichern, daß diese immer lesbar sind.

Achtung!

Vor dem Gebrauch oder Wartung des Verbrauchers muss die Gebrauchsanweisung gelesen werden.

Gefahr infolge der Nichtbeachtung der Sicherheitsvorschriften

Die Nichtbeachtung der Sicherheitsvorschriften kann die Sicherheit der Personen, der Umgebung und des Verbrauchers selbst gefährden. Bei der Nichtbeachtung der Sicherheitsvorschriften entsteht kein Anspruch auf Schadenersatz.

Die Nichtbeachtung der Sicherheitsvorschriften kann in besonderem folgende Risiken verursachen:

(Beispiele):

- Personengefährdung durch elektrischen Strom
- Personengefährdung durch heißes Geschirr
- Personengefährdung durch heiße Siedeflächen (Glaskeramik)

Sichere Verwendung:

Die in dieser Anleitung enthaltenen Sicherheitsvorschriften, die gültigen Nationalvorschriften für die Arbeit mit elektrischen Anlagen und zur Unfallverhütung und interne Betriebs-, Arbeits- und Sicherheitsvorschriften müssen eingehalten werden.

Achtung! Das Geschirr, in dem Sie kochen, darf auf der Kochplatte nur so stehen, daß sein Boden nicht ihren Umfang überdeckt. Auf das Bedienfeld, Display oder Rahmen dürfen keine heiße Töpfe oder Pfannen abgestellt werden. Die Nichteinhaltung dieser Vorschrift hat die Beschädigung des Geschirrs und des Verbrauchers zur Folge.

Wozu kommt es: das Geschirr verschmelzt, bzw. schmelzt zusammen, das Material in den Fugen zwischen dem Verbraucher und der Platte brennt durch die Hitze aus den Töpfen aus, dadurch wird die Dichtung zerstört und die Feuchte und Fettigkeit dringt dann ein, was zur Störung des Verbrauchers führen kann.

Displays- und Bedienfeldstörungen

Ist die glaskeramische Oberfläche gesprungen oder zerschlagen, muss der Kochapparat ausgeschaltet und von der Stromquelle freigeschaltet werden. Berühren Sie keine Bauteile im Inneren des Induktionskochgerätes.

Nach dem Legen eines Kochbehälters erwärmt sich die glaskeramische Oberfläche. Zur Vermeidung von Verletzungen (Verbrennungen) dürfen Sie die glaskeramische Oberfläche nicht berühren.

Achten Sie bitte auf heiße Speisen und Flüssigkeiten.

Achtung bitte: wir machen darauf aufmerksam, daß der Boden im Bereich des Verbrauchers glitschig sein kann. Das kann eine Verletzung verursachen.

Zur Vermeidung von Überhitzung des Geschirrs durch „Leerkochen“ darf das Geschirr ohne Aufsicht oder Nahrungsmitteln nicht erwärmt werden.

Wenn Sie das Geschirr herunternehmen, ist die Kochplatte auszuschalten. So vermeiden Sie das automatische Einschalten der Kochplatte, wenn Sie den Kochbehälter wieder hinstellen. Sie vermeiden, daß sich der Kochbehälter ohne Aufsicht erwärmt. Wenn nämlich eine weitere Person den Kochapparat verwenden will, muss sie ihn wieder durch Umdrehen des Reglers in die Stellung „EIN“ einschalten.

Verwenden Sie die Kochplatte nicht als eine Abstellfläche!

Legen Sie kein Papier, Pappe, Textil usw. zwischen den Behälter und die glaskeramische Fläche, es kann zur Entzündung kommen. Alu-Folien und Kunststoffbehälter dürfen auf die glaskeramischen Oberflächen nicht angebracht werden.

Es ist wichtig zu wissen, daß verschiedene Gegenstände die ein Nutzer trägt, wie zum Beispiel Ringe, Uhr usw. sich in der Nähe der Siedefläche stark erwärmen können.

Nach der Verwendung muss die Kochplatte mit dem Schalter ausgeschaltet werden - verlassen Sie sich nicht auf das System der Topfkennung.

Legen Sie auf die glaskeramische Fläche keine Kreditkarten, Telefonkarten, Kassetten oder andere Gegenstände, die auf das magnetische Feld empfindlich sind.

Es dürfen nur empfohlene Geschirrtypen und Geschirrgrößen verwendet werden.

Der Induktionskocher ist mit einem inneren Kühlsystem ausgerüstet. Achten Sie darauf, daß die Luftkanäle, die zur Luftzufuhr und Luftabfuhr dienen, frei bleiben, d.h. diese dürfen mit keinen Gegenständen (zum Beispiel Textil) zugedeckt sein. Es würde eine Überhitzung und Abschaltung des Kochapparats verursachen. Vermeiden Sie das Eindringen von Flüssigkeiten in den Kocher und das Überlaufen von Wasser oder anderer Flüssigkeit über den Rand des Gefäßes.

Reinigen Sie den Kocher nicht mit Wasserstrahl.

Unsachgemäße Manipulation und nicht zweckgemäße Verwendung

Richtiges und zuverlässiges Funktionieren des Gerätes kann nur bei regelrechter Verwendung gesichert sein. Die in den technischen Daten des Verbrauchers angeführten Grenzwerte dürfen unter keinen Umständen überschritten oder reduziert werden.

Änderungen / Ersatzteilverwendung

Setzen Sie sich mit dem Hersteller in Verbindung, wenn Sie auf dem Verbraucher irgendwelche Änderungen durchführen wollen. Um die Sicherheit zu gewährleisten dürfen nur die vom Hersteller zugelassene Originalersatzteile oder Originalzubehör verwendet werden. Bei der Verwendung von nicht originellen Komponenten verfällt die Garantie. Bei der Demontage, Prüfungen und Reparaturen muss auf Stabilität des Verbrauchers geachtet werden.

Achtung! Beim Austausch der Ersatzteile muss der Induktionskocher „sichtbar“ von der Stromquelle getrennt sein!

GESCHIRRERKENNUNG

Gefäße mit einem Bodendurchmesser kleiner als 12 cm werden nicht erkannt. Während des Betriebes leuchtet eine Kontroll-LED-Lampe oder das Display zeigt die gewählte Leistung (1 – 9). Beim Betrieb ohne Geschirr, oder falls kein Gefäß erkannt wurde, beziehungsweise ist das Gefäß aus einem ungeeigneten Stoff hergestellt, blinkt die Kontrolllampe nur kurz oder wird auf dem Display eine Meldung dargestellt, daß kein Topf erkannt wurde. Siehe Fehlermeldungen.

Kontrolle der Heizzone

Die Heizzone ist mit einem Temperaturfühler überwacht, der sich unter der glaskeramischen Fläche befindet (Mitte der Kochplatte). Überhitzte Geschirre (heißes Öl, leere Pfannen) werden erkannt und die Stromzufuhr ist unterbrochen. Der Kocher nimmt die unterbrochene Energiezufuhr zum Gefäß erst dann wieder auf, wenn die Temperatur auf normalen Wert senkt.

Achtung! Vor dem Überhitzen ist nur der Kocher geschützt, nicht das Gefäß. Überhitztes Gefäß wird nur dann erkannt, wenn die Überhitzung der glaskeramischen Platte solche Temperatur erreicht, bei der sich der Verbraucher ausschaltet (260°C).

Lärmursachen

Die Kühlventilatoren sind hörbar, sie werden während des Betriebes automatisch ein- und ausgeschaltet.

ALLGEMEINE ANWEISUNGEN

Diese Gebrauchs- und Bedienungsanleitung enthält Grundinformationen, die bei der Montage, Benutzung und Wartung beachtet sein müssen. Der Monteur und das Bedienpersonal müssen diese Anleitung vor der Installation und Inbetriebnahme in vollem Umfang lesen und diese Anleitung muss in der Nähe des Kochgerätes aufbewahrt sein, so dass diese jederzeit zum Einsehen zur Verfügung sind.

Benutzung

Die Induktionskochgeräte sind zur Speisezubereitung bestimmt. Sie können zum Kochen, Erwärmung, Flambieren, Grillen usw. genutzt werden. **Achtung!** Auf den Induktionskochgeräten müssen ausschließlich Gefäße aus Induktionsmaterial verwendet werden. Zur Herstellung der Gefäße sollten nur solche Stoffe verwendet werden, die wir empfehlen und die für professionelle Verwendung geeignet sind. Der ganze Boden des Gefäßes muss magnetisch sein. Im Zweifelsfall kann dieses mittels Magneten ausprobiert werden.

DIE NORMENÜBEREINSTIMMUNGSDOKUMENTATION

Der Produzent erklärt, daß die Geräte in einer Übereinstimmung mit den Vorschriften der 2004/108/ES, 2006/95/ES dem Gesetz Nr. 616/2006 sb., 17/2003 sb. der Sammlung und zugehörigen Regierungsverordnungen stehen. Die Installation muss mit der Absicht auf geltende Normen durchgeführt werden. Vorsicht, im Falle einer direkten oder indirekten Beschädigung, die sich auf falsche Installation, unrichtigen Eingriff oder Anpassungen, ungenügende Instandhaltung, unrichtige Verwendung beziehen, und welche eventuell durch andere Ursachen, als in Punkten der Verkaufsbedingungen angeführt ist, so verzichtet der Importeur auf jegliche Verantwortung. Dieses Gerät ist nur für fachliche Verwendung bestimmt und muß durch qualifizierte Person bedient werden. Teile, die nach der Einstellung durch den Hersteller oder durch befugte Person gesichert wurden, dürfen vom Benutzer keineswegs umgestellt werden.

DIE TECHNISCHEN DATEN

Das Schild mit technischen Angaben ist auf der Rückseite des Gerätes angebracht. Studieren sie vor der Installation das elektrische Schema der Einschließung und alle folgende Informationen durch.

MODEL	SPANNUNG (V/Hz)	ANSCHLUSSWERT (kW)	PLATTE (kW)	ABMESSUNGEN (cm)	Gewicht (kg)
SPI-704 E	400/3N/50	7	2 x 3,5	40x73x30 v	37
SPI-704 ES	400/3N/50	10	2 x 5	40x73x30 v	42
SPI-704 E WOK	230/50	7	2 x 3,5	40x73x30 v	43
SPI-708 E	400/3N/50	14	4 x 3,5	80x73x30 v	69
SPI-708 ES	400/3N/50	20	4 x 5	80x73x30 v	77
SPI-740 E	400/3N/50	7	2 x 3,5	40x73x90 v	49
SPI-740 ES	400/3N/50	10	2 x 5	40x73x90 v	68
SPI-740 E WOK	230/50	7	2 x 3,5	40x73x90 v	41
SPI-780 E	400/3N/50	14	4 x 3,5	80x73x90 v	89
SPI-780 ES	400/3N/50	20	4 x 5	80x73x90 v	94

DIE VERPACKUNGS-, UND VORRICHTUNGSKONTROLLE

Die Vorrichtung verlässt unsere Lager in ordentlicher Verpackung, auf deren die entsprechenden Symbole und Bezeichnungen stehen. In der Verpackung befindet sich entsprechende Bedienungsanleitung. Falls die Verpackung eine schlechte Behandlung oder Anzeichen der Beschädigungen vorweist, muß dieses sofort beim Transporteur reklamiert werden und zwar durch Unterzeichnung eines Schadensprotokolles.

Wichtige Hinweise

- Nur für professionellen Verbrauch geeignet
- Diese Bedienungsanleitung muss ordentlich und bedächtig gelesen werden, weil sie wichtige Informationen über Sicherheitsmerkmale, Installation und Anwendung beinhaltet
- Diese Empfehlungen beziehen auf diesen Produkt
- Der Produkt entspricht geltenden Normen
- Diese Anleitung muß ordentlich für die zukünftige Verwendung hinterlegt werden
- Hindern Sie den Kinder an Vorrichtungsmannipulation
- Beim Verkauf oder Verlegung ist es notwendig sich zu überzeugen, daß die Bedienstperson oder Fachservis sich mit der Beherrschung und Installationsanleitung in beiliegender Anleitung, anvertraut gemacht haben.
- Das Produkt darf nur eingeschulte Bedienung bedienen
- Das Produkt darf nicht ohne Aufsicht ins Betrieb gesetzt sein
- Es ist empfohlen, minimal einmal pro Jahr eine Fachkontrolle durchführen zu lassen
- Bei eventueller Reparatur der Teilenumtauschungen müssen ausschließlich Originalteile angewendet werden
- Das Produkt darf nicht durch einen Wasserstrahl oder Druckbrause gereinigt werden
- Schalten Sie alle Leitungen (Wasser, Elektrizität, Gas) bei einer Störung oder beim schlechten Lauf aus und rufen Sie autorisierten Service an
- Der Hersteller verzichtet auf jegliche Verantwortung bei Störungen, die durch fehlerhafte Installation, Nichteinhaltung o.a. Empfehlungen, andere Verwendung u.ä, verursacht wurden

DIE PLATZIERUNG

Es ist unbedingt notwendig, zu der Regulation der Gerätetätigkeit, daß das Milieu - der Küche -, wo das Gerät installiert wird, sehr gut belüftbar ist (im Hinblick darauf: sei der Techniker sich mit geltenden Normen (EN) richtet). Wenn die Einrichtung so plaziert wird, daß sie im Mobiliarwandkontakt stehen wird, so müssen diese einer Temperatur von 90°C widerstehen. Die Installation, Herrichtung, Inbetriebnahme müssen durch qualifizierte Person, die zu solchen Vorkehrungen eine Befugnis hat und dies laut geltenden Normen nach, durchgeführt werden.

Packen Sie das Gerät aus und kontrollieren Sie , ob sich das Gerät während des Transportes nicht beschädigt hat. Platzieren Sie das Gerät auf eine waagrechte Fläche (maximale Unebenheit bis 2°). Stellen Sie das Gerät unter den Haubenabzug, damit Sie die Wasserdämpfe und den Geruch eliminieren. Das Gerät kann selbständig oder in einer Reihe mit Geräten unserer Herrstellung installiert werden. Es ist notwendig die minimale Entfernung von 10 cm zu anderen Gegenständen einzuhalten, so dass die Wärmeisolierung der brennbaren Teilen gewährleistet wird.

TECHNISCHE HINWEISE ZUR INSTALLATION UND REGELUNG

Wichtig:

Zur Benützung AUSSCHLIEßLICH nur für spezialisierte Techniker

Instruktionen, die folgen, wenden sich an den Techniker, der für die Installation qualifiziert ist, damit er alle Operationen mit der korrektesten Weise und laut der gültigen Normen durchführt.

Wichtig

Jeweils irgendeine Tätigkeit, die mit der Regulation verbunden ist u.ä, muß nur mit der aus dem Netz ausgezogenen und abgeschalteten Einrichtung vollgezogen sein.

Solange das Gerät unter der Spannung notwendig zu halten ist, eine höchste Vorsicht zu beachten vorliegt.

INSTALLATIONSBEDINGUNGEN

Das Induktionskochgerät muss auf einer ebenen Oberfläche mittels Montagerahmen eingebaut sein. Die Luftzufuhr und – abfuhr darf nicht zugedeckt sein. Die Fläche, in die der Kocher eingebaut sein soll, muss eine Tragfähigkeit von mindestens 100 kg aufweisen. Die Netztrennungseinrichtung muss leicht zugänglich sein.

Installationsvorschriften für das Einbaumodell

Es ist auf die Einhaltung folgender Punkte zu achten:

- Überzeugen Sie sich, daß die Netzspannung den auf dem Typenschild des Verbrauchers angeführten Angaben entspricht.
 - Die Installation muss mit den örtlichen Vorschriften über Elektroinstallationen in Gebäuden übereinstimmen. Es ist dringend notwendig sich nach den gültigen Nationalvorschriften über elektrische Anlagen zu richten.
 - Der Induktionskocher ist mit einem Stromzuführungskabel ausgestattet, der mittels Stecker in eine Steckdose angeschlossen sein kann.
 - Sofern ein Sicherheitsschalter verwendet wird, muss dieser auf den Kurzschluss von mindestens $I_{\Delta n} = 30 \text{ mA}$ kalibriert sein.
 - Vermeiden Sie die Blockierung der Luftzufuhr und –abfuhr durch Gegenstände (Textil, Wand usw.)
 - Vermeiden Sie die Heißluftansaugung aus der Nähe in das Induktionskochgerät (mehrere Verbraucher nebeneinander, in der Nähe eines Grillgerätes oder eines Backofens). Andernfalls muss ein Kanal zur Luftzufuhr installiert sein.
 - Der Kocher ist mit einem Filter ausgerüstet, der die angesaugte Luft reinigt. Trotzdem muss gewährleistet sein, daß die in den Induktionsverbraucher angesaugte Umgebungsluft nicht durch fettige Dünste verunreinigt wird, die aus der Arbeitstätigkeit auf anderen Anlagen (Fritteuse, Grill usw.) entstehen.
 - Die Temperatur der angesaugte Luft muss niedriger als $+ 35 \text{ oC}$ sein.
 - Das Bedienpersonal muss darauf achten, dass sämtliche Installations-, Wartungs- und Inspektionsarbeiten nur befugtes, geschultes Fachpersonal durchführt.
 - Die angesaugte Luft muss in einen Kanal geführt werden und direkt zum Ventilator über den Filter geführt sein, der ein Bestandteil der Lieferung ist. Der Durchschnitt der Ansaugöffnung muss für eine elektronische Einheit mindestens 200 cm^2 betragen.
 - Es darf sich keine geschlossene Luftzirkulation bilden; die Luft, welche aus dem Kocher abgeht darf in keinem Falle wieder angesaugt werden, andernfalls wird sich das Kochgerät immer mehr erwärmen.
 - Der Einbau muss auf Zuverlässigkeit in der Praxis überprüft werden. Dazu muss man die maximale Temperatur der Kühleinheit feststellen. Diese Temperatur wird auf der Grundplatte der Kühleinheit unter der Induktionsspirale gemessen. Die Temperatur darf bei langzeitigem, mindestens zwei Stunden dauerndem Betrieb und 20 oC Umgebungstemperatur 65 oC nicht überschreiten.
 - Das Stromzuführungskabel muss abgeschirmt und auf beiden Seiten mit sauberen kontakten versehen sein.
 - Die Einrichtung, welche zur Trennung des Kochgerätes vom Stromnetz dient, sollte maximal 5 x pro Tag ein- und ausgeschaltet sein.
 - Vor der Durchführung von Wartungsarbeiten oder Austausch von Teilen muss der Verbraucher von der Stromquelle getrennt sein. Sofern dieses durch das Herausziehen des Steckers aus der Steckdose erfolgt, muss auf diese Tatsache eindeutig hingewiesen werden und zu der Steckdose muss von allen Seiten leichter Zugang sein, so daß das Bedienpersonal aus allen Stellen, wo es Zutritt hat, kontrollieren kann, daß der Stecker immer noch herausgezogen ist. Ist dieses wegen der Konstruktion des Verbrauchers oder Art der Installation nicht möglich, muss die Trennung durch Befestigung des herausgezogenen Steckers so durchgeführt werden, daß diese auch nicht irrtümlicherweise wieder angeschlossen sein konnte.
- Die Induktionskochgeräte sind mit einem Kabel und Stecker ausgestattet, die den Nationalvorschriften entsprechen.

Vergewissern Sie sich, daß der Stecker zum Kabel richtig angeschlossen ist:

Beim Anschließen des Verbrauchers zum Netz müssen die gesetzlichen Vorschriften des jeweiligen Landes eingehalten sein!

Achtung!

Falsche Spannung kann das Induktionskochgerät Beschädigen.

Achtung!

Elektrische Anschlüsse muss eine geschulte Fachkraft durchführen.

INBETRIEBNAHME

Montage

Die Induktionskochgeräte sind mit einem Stromzuführungskabel ausgestattet. Die Geräte müssen an eine Steckdose oder in einer Verteilungsdose in der Wand angeschlossen sein. Die elektrische Installation muss eine befugte Fachfirma durchführen und es müssen dabei die spezifischen nationalen und örtlichen Vorschriften eingehalten sein. Die Firma, die die Installation durchführt, ist für den richtigen Anschluss und die den Sicherheitsvorschriften entsprechende Installation verantwortlich. Die Warn- und Typenschilder müssen strengst beachtet werden.

RM GASTRO s.r.o., Jeneč
provoz
Veselí nad Lužnicí
Made in EU



Model	SPI- 708 ES	
ITEM	117261030	
Příkon_2	20 kW 230V~/50-60 Hz	
Sériové číslo:	16030002	



Vergewissern Sie sich, daß die Netzspannung der auf dem Typenschild angeführten Spannung entspricht. Beim Anbringen oder Einbau des Verbrauchers in unmittelbarer Nähe einer Wand, Trennwand, Kücheneinmöbels, dekorativer Verkleidung usw. wird empfohlen, daß diese nicht aus brennbaren Stoffen hergestellt sind, ansonsten müssten diese mit einer Schicht eines geeigneten nichtbrennbaren wärmedämmenden Stoffes geschützt sein. Die brandschutztechnischen Vorschriften müssen sorgfältig eingehalten werden!

Das Induktionskochgerät muss in seiner Endplatzierung auf einer ebenen sauberen Fläche (Tisch, Linie usw.) installiert sein. Es muss so eingebaut sein, daß man mit ihm nicht bewegen kann. „Die Installationsbedingungen“ müssen eingehalten werden.

Entfernen Sie sämtliche Gegenstände aus der Heizzone. Vergewissern Sie sich, daß die Heizzone weder gesprungen noch zerschlagen ist. Hören Sie sofort mit der Inbetriebnahme auf, wenn die glaskeramische Platte gesprungen oder zerschlagen ist, schalten sofort den Verbraucher aus und ziehen den Stecker aus der Steckdose aus.

Bevor Sie den Kocher ans Netz anschließen, drehen Sie den Leistungsregler in die Stellung AUS (0).

Achtung!

Heiße Pfanne überträgt die Wärme auf die Heizzone.
Um eine Verletzung zu verhüten, berühren Sie die
nicht die Heizzone.

Verwenden Sie eine für die Induktion geeignete Pfanne mit dem Bodendurchmesser von mindestens 12 cm.
Um einen Test des Verbrauchers durchführen zu können muss dieser zuerst eingeschaltet sein und im Weiteren so vorzugehen, wie beschrieben ist.

Legen Sie die Pfanne in die Mitte der Heizzone und gießen in sie ein wenig Wasser ein.

- Mit LED-Diode: Drehen Sie den Leistungsregler auf EIN (Position zwischen Min und Max). Grüne LED-Diode blinkt (Kochstufe 10 % - 30 %) oder leuchtet (Kochstufe 30 % - 100 %), das Wasser erwärmt sich.
 - Mit digitalem Display: (1 – 9) Drehen Sie den Leistungsregler auf EIN (Position zwischen Min und Max). Das Display zeigt die gewählte Stufe zwischen (1 – 9).
 - Mit LED-Diode: Wenn die Pfanne von der Heizzone entnommen wird, muss die grüne Lampe blinken (Gefäßsuche).
 - Stellen Sie die Pfanne zurück auf die Heizzone; die Lampe leuchtet wieder und die Erwärmung fängt erneut an.
 - Drehen Sie den Leistungsregler in die Position 0. Die Erwärmung stoppt und die Lampe erlischt.
 - Leuchtende Lampe bedeutet, daß in die Pfanne Energie übertragen ist.
 - Mit digitalem Display: (1 – 9) Wenn Sie die Pfanne aus der Heizzone entfernen, muss das Display das Symbol der Gefäßsuche zeigen – siehe Fehlermeldungen.
 - Stellen Sie die Pfanne zurück auf die Heizzone; Display zeigt wieder die gewählte Leistungsstufe und die Erwärmung fängt wieder an.
 - Drehen Sie den Leistungsregler in die Position 0. Die Erwärmung stoppt und das Display schaltet sich aus.
 - Die Nummer auf dem Display indiziert, daß in die Pfanne Energie übertragen ist.
- Bleiben die Lampe oder das digitale Display dunkel oder blinken nur kurze Zeit, probieren Sie folgende Möglichkeiten:
- Ist der Verbraucher ans Netz angeschlossen, oder der Hauptschalter eingeschaltet?
 - Befindet sich der Leistungsregler in der Position EIN?
 - Verwenden Sie eine Pfanne, die für die Induktion geeignet ist (überprüfen Sie mit Magneten) mit dem Bodendurchmesse von min. 12 cm?
 - Befindet sich die Pfanne in der Mitte der Heizzone (mit Ausnahme von Verbrauchern mit Koordinatenspiralen)?

Um festzustellen, ob das Material der Pfanne für die Induktionsverbraucher geeignet ist, ist ein Magnet zu verwenden, der zum Boden der Pfanne heften muss. Ist es nicht so, ist Ihre Pfanne für die Induktionsverbraucher nicht geeignet.

Verwenden Sie nur eine für die Induktion geeignete Pfanne.

Funktioniert der Verbraucher auch weiterhin nicht, schauen Sie sich den Punkt Fehler / Fehlerbeseitigung an.

UMGEBUNGSANFORDERUNGEN

- max. Umgebungstemperatur

Lagerung > - 20oC bis + 70 oC

Betrieb

> + 5 oC bis + 35 oC

- max. relative Luftfeuchtigkeit

Lagerung > 10 % bis 90 %

Betrieb

> 30 % bis 90 %

DIE SICHERHEITSVORRICHTUNGEN AUS DER SICHT DES FEUERSCHUTZES LAUT EN. 061008 ČL. 21

Die Einrichtungsbedienung dürfen nur Erwachsene ausführen

• Das Gerät darf sicher in gewöhnlicher Umgebung laut EN 332000-4-482; EN 332000-4-42 verwendet werden.

• Es ist notwendig das Gerät so platzieren, daß es auf einer unbrennbaren Grundlage steht oder hängt.

• Es dürfen, auf und in eine Entfernung, die kleineremase als sicher vom Gerät bezeichnet wird, keine Gegenstände aus brennbaren Materilien (die kleinste Entfernung vom Brennbarem ist 10 cm) aufgestellt werden.

• Die sicheren Entfernungen von Massen der einzelnen Brenngra

Tabelle:

Baumassefeuernbrenngrad ins Brenngrad (EN) der Massen und Produkte eingegliedert

A	Unbrennbar	Granit, Sandstein, beton, Ziegel, Keramikbekleidung, Putz
B	nicht einfach brennbar	Akumin, Heraklit, Lihnos, Itaver
C1	schwer brennbar	Holz, Laubbaum, Furnier Sirkoklit, Festpapier, Umakart
C2	mittel brennbar	Holzspanplatten, Solodur, Korkplatten, Hartgummi, Bodenbeläge
C3	leicht brennbar	Holzfasernplatten, Polystyren, Polyureten, PVC

Die Bedarfsartikel müssen sicher installiert werden und sind mit regulierenbaren Beinchen - zur Ausgleichen der Höhe und der Unebenheiten eingestattet.

Die Geräte müssen in einer sicheren Weise installiert werden. Bei der Installation müssen weiter betreffende Projekt-, Sicherheits-, und Hygienevorschriften respektiert werden.

• EN 06 1008 Feuerschutz der örtlichen Geräte und der Wärmquellen

• EN 33 2000 (33 2000-4-482; 33 2000-4-42) Umgebung für elektrische Geräte

Gasversorgung -Gasleitungen in Gebäuden - Höchste Verkehrsdruck ≤ 5 BarVerkehrsansprüche,

• § 10 des Gesetzes Nr.185/2001 Sb., der Abfälle betrifft.

DER ELEKTRISCHE KABELNETZANSCHLUSS

Die Installation der elektrischen Ankupplung - Diese Zuleitung muß selbstständig gesichert werden. Und das durch entsprechende Sicherung des Nennstromes in der Abhängigkeit am Anschlußwert des installierten Gerätes. Kontrollieren sie den Anschlußwert des Apparates auf dem Produktionsschild im Hinterteil des Gerätes. Schließen Sie das Gerät direkt ans Netz an.

Es ist unbedingt notwendig zwischen das Gerät und das Netz einen Schalter zu legen, der eine minimale Entfernung von 3mm unter den Einzelkontakten aufweist und der auch den geltenden Normen und Belastungen entspricht. Die Erdungszuleitung (gelbgrün) darf nicht durch diesen Schalter unterbrochen sein.

Der Zuleitungskabel muß in jedem Fall so angebracht sein, dass er in keinem Punkt einer um 50°C höherer Temperatur als Umgebungstemperatur nicht erreicht. Eher das Gerät ans Netz angeschlossen wird, versichern Sie sich, dass:

- die Zuleitungssicherung und die Innenscheidung die Einrichtungsbelastung ertragen (siehe Matriceschild),
- die Verteilung mit wirksamer Erdung laut Normen (EN) und Gesetzbedingungen ausgestattet ist

WIR VERZICHTEN AUF JEGLICHE VERANTWORTUNG IM FALLE, DASS DIESE NORMEN NICHT RESPEKTIERT WERDEN UND IM FALLE DER NICHEINHALTUNG DER OBENERWÄHNTER GRUNDSÄTZE.

Es ist notwendig die Schutzfolie vor der ersten Benützung zu beseitigen, sowie das Gerät zu reinigen siehe das Kapitel „Reinigung und Instandhaltung“.

BEDIENUNG

Kochvorgang

Der Kocher ist sofort betriebsfähig. Leuchtende oder blinkende Lampe zeigt, daß in die Pfanne Energie geleitet wird. Die entsprechende Leistung wird durch Drehen des Knopfes des Leistungsreglers gewählt. Der Induktionsleistungsübertrag hängt von der Position des Potentiometers ab.

Position MIN	>	minimale Leistung
Position MAX	>	maximale Leistung

Auf Grund folgender Umstände muss der Koch mehr aufmerksam sein, als beim Kochen auf gewöhnlichen Systemen. Nach der Leistungsänderung durch Umdrehen des Regulierknopfes reagiert das kochende Gericht sofort. Leere Töpfe und Pfannen werden sehr schnell heiß. Stellen Sie auf die glaskeramische Fläche NIE leere Gefäße ohne Inhalt, gießen Sie in diese zuerst eine Flüssigkeit oder Fett und fangen erst dann mit dem Kochen an. Stellen Sie die Leistung mit dem Drehknopf so ein, daß sie genau der erforderlichen Kochweise entspricht. Das Gefäß muss immer in der Mitte der Heizzone stehen (außer Verbraucher mit einem Flächenfühler), ansonsten wird sich der Boden des Gefäßes unregelmäßig erwärmen. Kontrollieren Sie beim Erwärmen des Öls oder Fettes das Gefäß laufend, um Überwärmung oder Entflammung des Öls oder Fettes zu verhindern.

Achtung! Das Geschirr, in dem Sie kochen, darf auf der Kochplatte nur so stehen, daß sein Boden ihren Umfang nicht überragt. Auf das Bedienfeld, Display oder den Rahmen dürfen keine heiße Töpfe oder Pfannen abgestellt werden. Die Nichteinhaltung dieser Anweisung hat Beschädigung des Geschirrs und des Verbrauchers zu Folge. Wozu kommt es: das Geschirr verschmelzt, beziehungsweise schmelzt zusammen, das Material in den Fugen zwischen dem Verbraucher und der Platte brennt durch die Hitze aus den Töpfen aus, dadurch wird die Dichtung zerstört und die Feuchte und Fettigkeit dringt dann ein, was zur Störung des Verbrauchers führen kann. Beschädigungen der Displays und des Bedienfeldes.

Komfort

Der Induktionskochapparat überträgt die Energie nur dann, wenn sich auf der Heizzone ein Gefäß befindet. Die Position des Leistungsreglers hat darauf keinen Einfluss. Wird die Pfanne von der Heizzone entfernt, ist die Energieübertragung sofort unterbrochen. Wenn wir die Pfanne zurückstellen, wird die gewählte Leistung wieder in sie übertragen. Schalten wir den Kochapparat mit dem Drehknopf aus, wird das Kochen gestoppt. Der Kochapparat bleibt jedoch zum Kochen bereit (Standby). Die Stromzufuhr wird erst durch Herausziehen des Steckers aus der Steckdose oder Ausschalten des Hauptschalters unterbrochen.

Softwareversion

Starten des Generators

Sekunden	Interpretation
1	8. (Segmenttest)
2	F oder P (Betriebsfrequenz oder Pulse)
3	2. (Softwareversion – erste Zahl)
4	1 (Softwareversion – zweite Zahl)
5	9 (Softwareversion – dritte Zahl)

Normalbetrieb

In der Betriebsweise Standby (Einstellung des Potentiometers AUS) blinkt jede 2 Sekunden der Dezimalpunkt). Bei ausgeschalteter Einstellung des Potentiometers wird erst der Topf herausgesucht: Zeichen U und der Dezimalpunkt bedeuten die Suche des Topfes (nach 1 Minute geht der Apparat in den Sparmodus über und sendet die Suchimpulse jede 5 Sekunden).

Ist der Topf erkannt, erscheint auf dem Display die Leistungseinstellung 1 – 9.

Bedeutung des Dezimalpunktes:

leuchtet	=	Betrieb
1 s Puls	=	Beschränkung wegen zu hoher Kühlertemperatur
½ s Puls	=	Beschränkung wegen zu hoher Spiralen- / Gefäßtemperatur
¼ s Puls	=	Leistungsbeschränkung
1/10 s Puls	=	Leistungsbeschränkung bei einem anderen als optimalem Pfannenmaterial

GEBRAUCHSANWEISUNG

Vorsicht!

Bevor Sie das Gerät verwenden werden, ist es notwendig ihn gut mit feuchtem Lappen abzuwaschen. Lassen Sie nie das Gerät ohne Aufsicht im Betrieb.

- Vor dem Anschluss an das Netz. Netzwerke müssen alle regulatorischen Knöpfe in Stellung „0“ zu setzen.
- Der erste Start muss das Gerät auf „Brennen“ in einem gut belüfteten Raum durchgeführt werden, Platten, die etwa 30 Minuten dauert. Nach Ablauf von mindestens 30 Minuten ist es bereit, Betrieb.

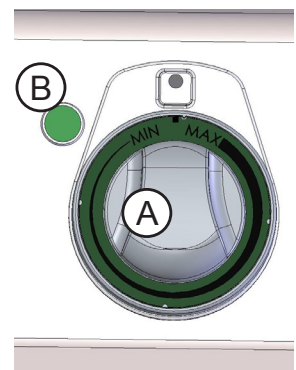
Starten Sie zum Betriebsbeginn den außerhalb der Anlage installierten Hauptschalter der Anlage. Bedienen Sie während des Betriebes die Anlage nur mit den Regulierknöpfen. Schalten Sie bei längerer Stillzeit den Hauptschalter der Anlage aus.

Drehen Sie mit dem Beherrschenrädchen (A) und stellen Sie die verlangte Temperatur ein. Die Kontrollleuchte (B) wird scheitern. Die Kontrolllampe (B) scheint, wenn das Gerät unter Elektrostrom steht. Das Gerät schalten Sie so aus, wenn Sie das Beherrschenrädchen (A) in die Lage „0“ umdrehen.

Beim eingeschalteten Zustand blinkt die Kontrollleuchte; damit ist die Einschaltung der Kochplatte signalisiert. Die Kontrollleuchte leuchtet nach der Aufstellung des Kochgefäßes auf die Kochplatte immer. Die dauerhaft leuchtende Kontrollleuchte signalisiert die Energieübertragung in das Kochgefäß

INSTANDSHALTUNG

Es ist empfohlen mindestens einmal pro Jahr das Gerät durch einen fachlichen Servicedienst warten zu lassen. Alle Eingriffe in das Gerät darf nur eine qualifizierte Person durchführen, die zu solchen Handlungen eine Befugnis besitzt.



ACHTUNG!

- BRINGEN SIE DIE KOCHGEFÄSSE IMMER IN DIE MITTE DER KOCHPLATTE
- DIE KOCHGEFÄSSE DÜRFEN DEN UMRISS DER GLÄSERNEN ARBEITSFLÄCHE NICHT ÜBERRAGEN
- DIE KOCHANLAGE ARBEITET NUR MIT GESCHIRR, DAS ZUR INDUKTIONSERWÄRMUNG GEEIGNET IST
- STELLEN SIE AUF DIE KOCHPLATTE NIE LEERE KOCHGEFÄSSE
- DIE ANLAGE REAGIERT NUR AUF GEFÄSSE MIT MINIMALEM BODENDURCHMESSER VON 12 CM.

BETRIEBSBEENDIGUNG

Sofern Sie den Induktionskocher nicht verwenden, überzeugen Sie sich, daß der Hauptschalter, beziehungsweise der Leistungsregler versehentlich nicht eingeschaltet wurden. Wenn Sie das Kochgerät länger nicht benutzen (mehrere Tage), ziehen Sie den Stecker aus der Steckdose heraus und schalten den Hauptschalter aus. Vermeiden Sie das Eindringen jedweder Flüssigkeit in den Kocher und reinigen Sie das Gerät nicht mit Flüssigkeiten.

INSTANDSHALTUNG

Es ist empfohlen mindestens einmal pro Jahr das Gerät durch einen fachlichen Servicedienst warten zu lassen. Alle Eingriffe in das Gerät darf nur eine qualifizierte Person durchführen, die zu solchen Handlungen eine Befugnis besitzt.

!!! Nach jedem Reinigungsaustrüstung nötig ist, die Oberfläche der Arbeitsplatte mit Pflanzenöl!!!

Bemerkunge und Empfehlunge

Benützen Sie das Gerär nur unter ständigen Aufsicht.

DIE REINIGUNG UND INSTANDSHALTUNG

ACHTUNG! Die Einrichtung darf nicht mit Direkt-, oder Druckwasserstrahl gereinigt werden. Reinigen Sie das Gerät täglich. Die Lebensdauer und Gerätewirkung wird durch die tägliche Wartung gewährleistet. Überzeugen Sie sich, vorm Reinigungsanfang, dass Sie die Einrichtung vom Elektrostrom abgeschaltet haben. Schalten Sie immer die Gerätehauptzufuhr ab. Waschen Sie die Edeltahteile mit feuchtem Waschlappen, der im Waschpulver getauft ist und keine grobe Teilchen aufweist. Wischen Sie alles ins Trockene ab. Verwenden Sie keine abrasive- oder korrosionsreiche Reinigungsmitteln. Alle Speisenreste müssen von der Arbeitsplatte beiseitigt werden. Sie können eine Spachtel benützen. Nach jeder Gerätereinigung müssen Sie die Grillplatten mit Pflanzenöl aufreiben.

WIE MAN IM FALLE EINER STÖRUNG VORANGEHEN SOLL

Schalten sie die elektrische Stromleitung ab und rufen die Serviceorganisation des Verkäufers an.

- WASCHEN SIE DIE FETTIGKEIT UND WASSERSTEINFLECKE MIT EMPFOHLENE MITTELN AB, WIE: POLYCHRON, SIGOLINCHROM, INOX CREME, VIF SUPER-REINIGER, SUPERNETTOYANT.
- WIR EMPFEHLEN DIE MECHANISCHE REINIGUNG MIT EINER RASIERKLINGE ODER EINEM NICHT ABRASIVEN SCHWAMM DURCHZUFÜHREN.
- DIE GLASKERAMISCHE OBERFLÄCHE DARF NICHT MIT MITTELN GEREINIGT WERDEN, DIE ABRASIVE PARTIKEL ENTHALTEN, DRAHTSCHWÄMMEN, ODER SCHWÄMMEN MIT RAUER SCHLEIFOBERFLÄCHE. DIESE KÖNNEN DIE SIEDEFLÄCHE BESCHÄDIGEN.

WÄHREND DER REINIGUNG DÜRFEN IN DIE ANLAGE KEINE FLÜSSIGKEITEN EINDRINGEN.

HINWEIS

Die Garantie bezieht sich nicht auf alle Verbrauchsteile, die der geläufiger Abnutzung unterstehen (gesamte Gummidichtungen, Glühlampen, alle glasernde und plastiche Teile, usw.). Die Garantie bezieht sich nicht weiterhin auf Einrichtungen, die durch befugte Person laut Anweisung und entsprechender Normen nicht installiert worden sind und wenn mit dem Gerät unfachmännisch manipuliert wurde (Eingriffe ins Innere) und auf Beschädigungen durch Natureinflüsse oder Ausseneingriffe.

Warnung: Während der Reinigung oder Wartung und Bauteilwechsels müssen die Verbraucher freigeschaltet werden.

Den Induktionskocher darf nur geschultes und befugtes Servicepersonal öffnen. Beenden Sie sämtliche Arbeiten wenn die glaskeramische Fläche gesprungen oder zerschlagen ist. Der Induktionskocher muss sofort ausgeschaltet werden und der Stecker aus der Steckdose herausgezogen sein. Berühren Sie keine inneren Teile des Verbrauchers.

Achtung
Öffnen Sie den Induktionskochapparat nicht!
Gefährliche Spannung!

FEHLERBESEITIGUNG

Malfunction	Possible cause	Precautions by users or servicing personnel
The hotplate does not heat up The bulb is not lit	No power supply	Check whether the appliance is connected to the mains (the plug is in the socket) and whether the main switch is on.
	The power regulator is in the "off" position	Turn the power regulator to the "on" position
	The main switch is OFF	Switch the main switch on
	The pan is too small (bottom diameter less than 12 cm)	Use a suitable pan
	The pan is not in the middle of the heating zone (the pan could not be recognised)	Move the pan to the centre of the heating zone
	Unsuitable pan	Choose a pan suitable for induction* 1
	The induction cooker is broken	Contact your supplier to request servicing. Remove the plug from the socket.
Insufficient heat output	The pan used is not ideal	Choose a pan suitable for induction. Compare with the results of "your" pan.
	The ambient temperature is too high (the cooling system is not capable of keeping the hotplates at operating temperature *2)	Ensure that no hot air is being drawn into the appliance. Reduce the ambient temperature. The temperature must not exceed 40 °C / 115 °F.
	One phase is missing	Test the circuit breakers and fuses.
	The induction cooker is broken	Contact your supplier to request repair services. Remove the plug from the socket.
No response to the setting regulator being turned	The regulator is broken	
The heating switches off and on within several minutes. The ventilator is running.	The cooling system is blocked/malfunctioning	Ensure that the air intake and off take vents are not blocked.
	Ventilator dirty.	Clean the ventilator.
The heating switches off and on within several minutes. The ventilator is not running.	Ventilator malfunction or ventilator control malfunction	Contact our supplier to request repair services. Remove the plug from the socket.
The heating switches off and on within several minutes. (after an extended period of operation without interruption).	The spiral is overheated. The cooking zone is too hot.	Switch the cooker off, remove the cookware and wait until the cooking zone cools.
	Empty container	
	Overheated oil in a pan	
Small metal items (e.g. spoons, knives) are heating in the cooking zone	Incorrectly configured cookware recognition	Test the control panel (only the supplier's servicing personnel).

*1) Um festzustellen, ob das Material für die Induktionsverbraucher geeignet ist, verwenden Sie einen Magnet, der auf dem Boden der Pfanne haften muss. Ist es nicht so, ist Ihre Pfanne für die Induktionsverbraucher nicht geeignet. Wählen Sie sich eine Pfanne aus solchem Material aus, der für die Induktion geeignet ist.

*2) Die Lüftung beginnt zu arbeiten, wenn die Temperatur des Kühlers 45 oC übersteigt. Bei Kühlertemperaturen über 70 oC reduziert der Kontrollmechanismus automatisch die Leistung so, daß die normalen Betriebsbedingungen der Kochplatte erhalten bleiben. Der Induktionskocher arbeitet mit reduzierter Leistung normal weiter. Ist das Stromzuführungskabel des Kochapparats beschädigt, muss ihn der Hersteller oder sein Kundendienst, beziehungsweise eine andere gleicher Art qualifizierte Person austauschen, um eine Verletzungsgefahr zu vermeiden.

INSTRUCTIONS DE SÉCURITÉ

Veillez attentivement lire le présent manuel. Le manuel de montage et d'utilisation doit être conservé pour pouvoir être utilisé ultérieurement ou pour pouvoir être remis à un éventuel futur propriétaire. Essayez l'équipement après l'avoir déballé. Ne le branchez pas s'il a été endommagé pendant le transport. Décrivez par écrit les dommages constatés et appelez notre service clientèle. Si vous n'agissez pas ainsi, vous pourriez perdre vos droits de garantie. L'installation de l'appareil doit être effectuée conformément au manuel d'installation joint. L'appareil est uniquement conçu pour la préparation de plats. Gardez toujours l'appareil sous surveillance pendant son utilisation. Ne l'utilisez que dans des espaces fermés. Ne placez jamais de couvercle sur les plaques de cuisson. Cela pourrait causer des accidents par exemple par réchauffement, inflammation ou fissures. N'utilisez aucun dispositif de protection ou grilles de protection contre les enfants si ces dispositifs ne sont pas adaptés. Cela pourrait entraîner des accidents. Cet appareil n'est pas conçu pour être connecté à un minuteur extérieur ou à une commande à distance.

Si vous portez un pacemaker ou un autre équipement médical électronique, veuillez être prudent puisque lorsque les plaques sont allumées, vous vous trouvez dans leur champ d'induction. Informez-vous auprès de votre médecin ou auprès du fabricant de l'équipement médical que vous portez pour vous assurer que le fonctionnement de votre dispositif ne sera pas perturbé ou autrement influencé.

Risque d'incendie !

- Les huiles et graisses chaudes sont facilement inflammables. Ne laissez jamais d'huile ou de graisses chaudes sans surveillance. S'il y a inflammation, n'éteignez jamais le feu avec de l'eau. Coupez les plaques chauffantes. Éteignez les flammes en faisant très attention avec un couvercle, une couverture anti-feu ou en ayant recours à un autre moyen.
- Les plaques chauffantes sont très chaudes. Ne posez jamais d'objets inflammables sur les surfaces de chauffe. Ne stockez aucun objet sur les surfaces de chauffe.
- L'appareil est chaud. Ne stockez jamais d'objets ou de sprays inflammables directement sous la surface de chauffe.

Risque de brûlures !

- Les plaques chauffantes et leurs environs, y compris le cadre éventuel, sont brûlants. Ne touchez jamais les surfaces brûlantes. Ne laissez jamais un enfant s'approcher de l'appareil.
- La plaque chauffante chauffe mais l'écran ne fonctionne pas. Coupez les fusibles. Appelez le service clientèle.
- Les objets métalliques montent très rapidement en température lorsqu'ils sont sur les plaques chauffantes. Ne posez donc jamais d'objets métalliques, comme par exemple des couteaux, des fourchettes, des cuillères ou des couvercles, sur les plaques chauffantes.
- Après chaque utilisation, veillez à bien éteindre la plaque chauffante avec l'interrupteur principal. N'attendez pas que la surface chauffante se coupe automatiquement parce qu'aucune casserole ou poêle ne s'y trouvent.
- Risque de blessure par électrocution ! Des réparations non professionnelles sont dangereuses. Seuls les techniciens formés de notre service clientèle sont autorisés à effectuer des réparations ou à remplacer certains éléments. Si l'appareil présente un dommage, retirez-le de sa prise ou coupez les fusibles. Appelez ensuite le service clientèle.
- Si de l'humidité pénètre dans l'appareil, cela pourrait entraîner des blessures par courant électrique. N'utilisez jamais de nettoyeur haute pression ou de nettoyeur à vapeur.
- Une panne de l'appareil pourrait entraîner des blessures par courant électrique. N'allumez jamais un appareil en panne. Retirez-le de la prise électrique ou coupez les fusibles. Faites appel à notre service clientèle.
- Une panne sur l'appareil peut causer un accident par électrocution. N'allumez jamais en appareil en panne. Retirez la fiche de la prise ou coupez les fusibles. Faites appel à notre service clientèle.
- Des rayures ou des fissures sur la surface vitrocéramique peuvent entraîner des risques de blessures par électrocution. Coupez les fusibles. Faites appel à notre service clientèle.

Risque de dommages !

- La surface chauffante est équipée d'un ventilateur placé dans sa partie inférieure. Respectez le manuel d'installation de l'équipement en termes de circulation d'air.

Attention !

- Les surfaces rugueuses des casseroles et des poêles peuvent rayer la surface chauffante.
- Ne placez jamais de récipients vides sur la surface chauffante. Cela pourrait entraîner des dommages.
- Ne placez pas de casseroles ou de poêles chaudes sur le panneau de commande, sur l'écran ou sur les cadres des plaques chauffantes. Cela pourrait entraîner des dommages.
- La chute d'éléments durs ou pointus sur la surface chauffante peut causer des dommages.
- Le papier aluminium et les récipients en plastiques fondent lorsqu'ils se trouvent sur les plaques chauffantes brûlantes. Nous ne recommandons pas l'utilisation de film de protection pour four.

RÉGLEMENTATION DE SÉCURITÉ

Symbole d'avertissement général

Non respecter les réglementations de sécurité entraîne des risques (blessures).



Ce symbole avertit des dangers de choc électrique (marquage 5036 CEI 60417-1)



Ce symbole avertit des rayonnements électromagnétiques non ionisants (marquage 5140 CEI 60417-1)

Attention

Une utilisation en contradiction avec l'usage prévu et une manipulation non professionnelle peuvent entraîner des blessures légères et des dommages !

Les symboles d'avertissement qui se trouvent directement sur l'appareil doivent impérativement être respectés. Veuillez vous assurer qu'ils restent toujours lisibles.

Attention !

Veuillez attentivement lire le manuel d'utilisation avant de commencer à utiliser l'appareil ou à y exécuter des opérations de maintenance.

Risques découlant du non-respect des instructions de sécurité

Le non-respect des instructions de sécurité peut entraîner des risques pour les personnes, les environs et l'appareil en lui-même. Aucun droit de dédommagement ne pourra être fait valoir si les instructions de sécurité ne sont pas respectées.

Les risques suivants peuvent être causés par le non-respect des instructions de sécurité (Exemples) :

- Danger de blessures par choc électrique
- Danger de blessures par contact avec des récipients brûlants
- Danger de blessures par contact avec les surfaces de chauffe (vitrocéramique)

Utilisation sûre

Les instructions de sécurité contenues dans le présent manuel d'utilisation, les réglementations nationales en vigueur en termes de travail sur les équipements électriques et en termes de protection contre les blessures, ainsi que les réglementations internes de sécurité et de travail doivent impérativement être respectées.

- Attention ! Le récipient dans lequel vous cuisinez ne peut se trouver sur la plaque chauffante que lorsque son fond ne dépasse pas la plaque. Aucune poêle ou casserole chaude ne doit être posée sur le panneau de commande, l'écran ou le cadre. Le non-respect de cette instruction peut entraîner l'endommagement du récipient et de l'appareil.
- Que peut-il arriver ? Le récipient fond, éventuellement les récipients voisins fusent, les matériaux qui se trouvent entre la plaque chauffante et son support brûlent du fait de la chaleur émise par les casseroles, les joints d'étanchéité sont ainsi endommagés et l'humidité et la graisse peuvent alors pénétrer à l'intérieur de l'appareil, ce qui entraîne son endommagement. Pannes des écrans et du panneau de commande.
- Si la surface vitrocéramique est fissurée ou cassée, il est indispensable de couper l'appareil et de le couper de l'alimentation électrique. Ne touchez jamais les éléments qui se trouvent à l'intérieur de l'appareil à induction.
- La surface vitrocéramique devient chaude lorsque le récipient y est placé. Ne touchez pas la surface vitrocéramique pour ne pas vous y blesser (brûlure).
- Faites attention aux aliments et liquides brûlants.
- **VEUILLEZ FAIRE ATTENTION** : Nous vous avertissons que le sol autour de l'appareil peut être glissant et que cela pourrait entraîner des blessures.
- Pour empêcher les récipients de se réchauffer lorsqu'ils sont vides, ne les laissez jamais sans surveillance et sans aliments à l'intérieur.
- Si vous retirez le récipient, éteignez la plaque chauffante. Vous éviterez ainsi la mise en marche automatique de la plaque chauffante lorsque vous y reposerez un récipient. Vous éviterez ainsi que le récipient ne chauffe sans surveillance. Si quelqu'un souhaite vraiment utiliser la plaque chauffante, il devra vraiment le rallumer en mettant le bouton sur allumé.
- N'utilisez pas les plaques chauffantes comme plaque de dépôt.
- Ne mettez pas de papier, de carton, de tissu ou autre entre le récipient et la surface vitrocéramique, car il pourrait y avoir inflammation. Il est interdit de mettre des films aluminium et des récipients en plastique sur les surfaces brûlantes.
- Prenez conscience que certains objets portés par l'utilisateur, comme par exemple les bagues, montres etc., peuvent fortement se réchauffer lorsqu'ils sont à proximité de la surface chauffante.
- Après utilisation, éteignez la plaque avec le bouton – ne vous fiez pas au système de détection des récipients.
- Ne posez pas de cartes bancaires, de cartes de téléphones, de cassettes ou d'autres objets sensibles aux champs magnétiques sur la surface vitrocéramique.
- Seuls des récipients de types et de dimensions adaptés doivent être utilisés.
- La plaque de cuisson à induction dispose d'un système de refroidissement interne. Faites attention à ce que les conduits qui assurent l'arrivée et la sortie de l'air restent libres et qu'ils ne soient jamais bouchés (par un tissu par exemple). Cela entraînerait une surchauffe de l'appareil et l'arrêt de la plaque de cuisson.
- Empêchez la pénétration de liquides dans la plaque de cuisson, évitez l'eau et d'autres liquides de bouillir et de s'échapper des récipients. Ne nettoyez pas la plaque de cuisson à l'eau.

Manipulation non adaptée et utilisation en contradiction avec l'usage prévu

Le fonctionnement fiable et correct de l'appareil peut être assuré grâce à une utilisation correcte. Les valeurs limites indiquées dans les données techniques de l'appareil ne doivent en aucun cas être dépassées ou diminuées.

Remplacement / utilisation des pièces de rechange

Veillez contacter le fabricant si vous souhaitez apporter des modifications à l'appareil. Pour garantir la sécurité d'utilisation, veillez à n'utiliser que des pièces de rechange et des accessoires qui ont été approuvés par le fabricant. L'utilisation de composants qui ne sont pas d'origine entraînera la perte de la garantie. Faites attention à ce que l'appareil reste bien stable lorsque vous le démontez, que vous le testez ou que vous y effectuez des réparations.

Attention ! Lorsque vous remplacez des pièces de l'appareil, veillez vous assurer que la plaque de cuisson est « visiblement débranchée » du réseau électrique.

DÉTECTION DES RÉCIFIANTS

Les récipients dont le fond présente un diamètre inférieur à 12 cm ne seront pas détectés. Pendant l'utilisation, la LED de contrôle est allumée ou l'écran numérique indique la puissance sélectionnée (1 à 9). Lorsque la plaque est utilisée sans récipient ou que le récipient posé n'est pas détecté, éventuellement qu'il s'agit d'un récipient dont le matériau n'est pas adapté, aucune puissance n'apparaîtra à l'écran, la LED clignotera brièvement ou un message apparaîtra à l'écran précisant qu'aucun récipient n'a été détecté (voir message d'erreur).

Contrôle de la zone de chauffe

La zone de chauffe est surveillée par un capteur thermique situé sous la surface vitrocéramique (au centre de la plaque de chauffe). Les récipients en surchauffe (huile brûlante, récipient vide) sont détectés et l'arrivée d'électricité est alors coupée. La plaque de cuisson renouvelle l'apport d'énergie lorsque la température baisse en dessous de la valeur normale.

Attention ! C'est la plaque de chauffe qui est protégée contre la surchauffe et non pas le récipient. Un récipient en surchauffe n'est détecté que lorsque la plaque vitrocéramique atteint la température à laquelle l'appareil s'éteint (260°).

Causes des bruits éventuels

Les ventilateurs de refroidissement peuvent être entendus, ils s'éteignent et s'allument pendant le fonctionnement de l'appareil.

INSTRUCTIONS GÉNÉRALES

Ce manuel d'utilisation et de manipulation contient les informations élémentaires auxquelles il est important de veiller pendant le montage, l'utilisation et l'entretien. Le monteur et le personnel qui utilisera l'appareil doivent les lire entièrement avant l'installation et la mise en marche de l'appareil. Le manuel doit ensuite être stocké à proximité de l'appareil de façon à toujours être disponible.

Utilisation

La table de cuisson à induction est conçue pour la préparation de mets. Elle peut être utilisée pour cuire, réchauffer, flamber, griller etc. Attention, seuls des récipients conçus en matériaux à induction peuvent être utilisés sur les plaques de cuisson à induction. La fabrication des récipients ne devrait être faite qu'à partir de matériaux que nous conseillons et qui sont adaptés pour une utilisation professionnelle. L'ensemble du fond du récipient doit être magnétique. En cas de doute, vous pouvez faire un essai avec un aimant.

DÉCLARATION DE CONFORMITÉ

Le fabricant certifie la conformité des appareils aux normes 2004/108/ES, 2006/95/ES, 2006/95/ES à la loi n° 616/2006 sb., 17/2003 sb. et aux décrets applicables. L'installation doit être effectuée dans le respect des normes en vigueur. Attention: le fabricant décline toute responsabilité en cas de dommages, directs ou indirects, causés par une mauvaise installation, par une utilisation, des interventions ou des modifications impropres, par un entretien insuffisant, ainsi qu'en cas de dommages dérivant des causes mentionnées dans les conditions de vente. L'appareil objet de la présente notice est prévu pour un usage professionnel, aussi son utilisation doit-elle être confiée à un personnel possédant les compétences nécessaires à cet effet. L'utilisateur ne doit procéder à aucune intervention ni à aucune modification sur les parties réglées et protégées par le fabricant ou autre personnel autorisé à cet effet.

CARACTÉRISTIQUES TECHNIQUES

L'étiquette sur laquelle figurent les caractéristiques techniques est apposée sur la partie postérieure de l'appareil. Avant de procéder à l'installation, prendre connaissance du schéma électrique et de toutes les informations que contient la présente notice.

MODEL	TENSION (V/HZ)	PUISSANCE (kW)	PLAQUES (kW)	DIMENSIONS (cm)	poids (kg)
SPI-704 E	400/3N/50	7	2 x 3,5	40x73x30 v	37
SPI-704 ES	400/3N/50	10	2 x 5	40x73x30 v	42
SPI-704 E WOK	230/50	7	2 x 3,5	40x73x30 v	43
SPI-708 E	400/3N/50	14	4 x 3,5	80x73x30 v	69
SPI-708 ES	400/3N/50	20	4 x 5	80x73x30 v	77
SPI-740 E	400/3N/50	7	2 x 3,5	40x73x90 v	49
SPI-740 ES	400/3N/50	10	2 x 5	40x73x90 v	68
SPI-740 E WOK	230/50	7	2 x 3,5	40x73x90 v	41
SPI-780 E	400/3N/50	14	4 x 3,5	80x73x90 v	89
SPI-780 ES	400/3N/50	20	4 x 5	80x73x90 v	94

CONTROLE DE L'EMBALLAGE ET DE L'APPAREIL

En vue de son transport, l'appareil quitte les établissements du fabricant parfaitement emballé (sur l'emballage sont apposés les étiquettes et les symboles nécessaires à cet effet). L'emballage contient également la notice des instructions d'utilisation. Dans le cas où l'emballage présenterait des dommages ainsi que dans le cas où il s'avérerait qu'il a été manipulé sans les précautions nécessaires, il est impératif d'adresser sans attendre une déclaration au transporteur en y joignant une acceptation de la marchandise sous réserve.

Recommandation importante:

- Pour usage professionnel seulement
- La présente notice des instructions d'utilisation et d'entretien contient d'importantes informations relatives à la sécurité, à l'installation et à l'utilisation; il est nécessaire d'en effectuer attentivement la lecture.
- Les recommandations se réfèrent à l'appareil objet de la présente notice.
- L'appareil est conforme aux normes en vigueur.
- Veiller à bien conserver la notice de telle sorte qu'elle puisse être consultée à tout moment en cas de besoin.
- Ne pas laisser des enfants s'approcher de l'appareil durant son utilisation.
- Pendant la vente ou après le déménagement de l'appareil vérifier que le personnel lise attentivement la présente notice d'utilisation
- L'appareil ne peut être utilisé que par le personnel instruit
- L'appareil ne peut être laissé en marche sans surveillance
- Il est recommandé de faire l'appareil contrôler au moins une fois par an dans un service spécialisé
- Ne pas utiliser que des pièces détachées originales.
- En cas de défaut ou de mauvaise fonction, débrancher l'appareil (eau, gaz, électricité) et appeler un service spécialisé
- Le fabricant décline toute responsabilité en cas de dommages, directs ou indirects, causés par une mauvaise installation, utilisation, etc

LA LOCATION

Le local dans lequel l'appareil est installé doit être bien ventilé. Si l'appareil doit toucher le parois, celui-ci doit résister à la chaleur de 90°C au minimum. L'installation, le réglage et la mise en marche doivent être effectués par une personne qualifiée ayant une autorisation nécessaire selon les normes en vigueur.

Déballer l'appareil et vérifiez s'il n'était pas endommagé pendant le transport. Placez l'appareil sur une surface horizontale (pente maximale de 2°). Placez l'appareil sous une hotte pour éliminer la vapeur et mauvaise odeur.

L'appareil peut être installé seul ou en série avec d'autres appareils de notre fabrication. Il faut respecter la distance minimale de 10 cm entre l'appareil et d'autres objets ainsi qu'éviter le contact avec les matériaux inflammables. Dans ce cas il faut prévoir les arrangements nécessaires pour assurer la protection des parties inflammables.

INSTRUCTIONS TECHNIQUES POUR INSTALLATION ET REGLEMENT

Important:

Le fabricant ne fournit pas de garantie pour les défauts causés par l'usage, tout manquement impropre aux instructions contenues dans les instructions ci-jointes pour l'utilisation et aux mauvais traitements des appareils.

Installation, réglage et réparation d'appareils pour les cuisines, ainsi que leur élimination en raison de dommages possibles au gaz peut être effectuée qu'en vertu d'un contrat de maintenance, ce contrat peut être signé avec un distributeur agréé, et doivent être conformes à la réglementation technique et normes et réglementations concernant l'installation, l'alimentation, de raccordement de gaz et de la santé et la sécurité du système.

Ces instructions sont destinées au technicien qualifié qui doit effectuer l'installation, le mettre en marche et tester l'appareil.

Toute activité en tant que paramètres, le placement, le rééquilibrage etc, doit être faite que lorsqu'il est périphérique déconnecté de l'électricité. Si il est nécessaire d'avoir le périphérique connecté à l'électricité, vous devez garder la plus grande attention afin d'éviter toute blessure.

CONDITIONS D'INSTALLATION

La plaque de cuisson à induction doit être montée bien horizontalement à l'aide d'un cadre de montage. L'arrivée et la sortie d'air ne doivent pas être recouverts. La surface sur laquelle la plaque doit être installée doit avoir une portance d'au moins 100 kg. Le dispositif de branchement au réseau électrique doit être facilement accessible.

Instructions d'installation pour le modèle encastré

Il est important de veiller aux points suivants :

- Assurez-vous que la tension du réseau correspond aux données indiquées sur l'étiquette signalétique de l'appareil.
- L'installation doit être conforme aux réglementations locales relatives aux installations électriques dans les bâtiments. Les réglementations nationales sur les appareils électriques doivent impérativement être respectées.
- La plaque de cuisson à induction est équipée d'un câble d'alimentation qui peut être branché à une prise électrique via une fiche.
- Si un interrupteur différentiel est utilisé, il doit être calibré pour court-circuiter à au moins $I_{\Delta n} = 30$ mA.
- Empêchez que des objets divers ne viennent bloquer l'arrivée et la sortie d'air (tissu, mur etc.).
- Empêchez l'air chaud des environs de pénétrer dans la plaque de cuisson à induction (plusieurs appareils les uns à côté des autres, les uns au-dessus des autres, les uns derrière les autres, à proximité d'un gril ou d'un four). Dans le cas contraire, un conduit d'entrée d'air doit être utilisé.
- La plaque de cuisson dispose d'un filtre qui nettoie l'air entrant. Pourtant, il est nécessaire de s'assurer que l'air environnant qui entre dans l'appareil à induction ne soit pas rempli de vapeurs grasses issues des opérations exercées sur les autres équipements utilisés (friteuses, grills, etc.).
- La température de l'air aspiré doit être inférieure à +35°C.
- Le personnel qui utilise l'appareil doit s'assurer que les opérations d'installation, d'entretien et de contrôle sont bien effectuées par des professionnels.
- L'air aspiré doit être conduit dans le conduit puis dirigé via le filtre fourni directement vers le ventilateur. La section de l'orifice d'aspiration doit être d'au moins 200 cm² par unité électronique.
- Aucune circulation d'air fermée ne doit être créée. L'air qui sort de l'appareil ne doit en aucun cas être à nouveau aspiré sinon l'appareil pourrait continuellement se réchauffer.
- La fiabilité de l'installation doit être testée. La température maximale du système de refroidissement doit donc être déterminée. Cette température doit être mesurée sur la plaque de base du système de refroidissement sous la spirale à induction. Lors d'une utilisation de longue durée, de deux heures au moins, et pour une température environnante de 20°C, cette température ne doit pas dépasser 65°C.
- Le câble d'alimentation doit être blindé et les contacts doivent être correctement assurés aux deux extrémités.
- L'équipement qui sert à déconnecter la plaque de cuisson du réseau devrait être éteint puis rallumé 5 fois par jour au maximum.
- Avant toute opération d'entretien ou de remplacement de certaines pièces, l'appareil devrait être débranché de son alimentation électrique. Si cela se fait en retirant la fiche de la prise, cela doit être clairement indiqué et la prise doit être d'accès facile de façon que le personnel puisse contrôler que la fiche est toujours débranchée. Si cela n'est pas possible du fait de la conception de l'appareil ou à cause du mode d'installation, la coupure d'alimentation doit être assurée en fixant la fiche pour qu'elle ne puisse pas être remise dans la prise par erreur.

Les plaques de cuisson à induction sont équipées d'un câble et d'une fiche conformes aux réglementations nationales.

Assurez-vous que la fiche est correctement connectée au câble :

Les réglementations légales nationales du pays d'installation doivent toujours être respectées lors du branchement de l'appareil !

Attention

Une tension non adaptée peut endommager l'appareil

Attention

Le branchement électrique doit être assuré par un professionnel

MISE EN SERVICE

Montage

Les plaques de cuisson à induction sont équipées d'un câble d'alimentation. Ils doivent être branchés à la prise ou à un boîtier électrique au mur. L'installation électrique ne peut être effectuée que par une entreprise spécialisée autorisée et les réglementations locales et nationales spécifiques doivent être respectées. L'entreprise qui effectue l'installation est responsable de la conformité du branchement et de l'installation avec les réglementations de sécurité en vigueur. Les étiquettes signalétiques et d'avertissement doivent être strictement respectées.

RM GASTRO s.r.o., Jeneč
provoz
Veselí nad Lužnicí
Made in EU



Model	SPI- 708 ES	
ITEM	117261030	
Příkon_2	20 kW 230V~/50-60 Hz	
Sériové číslo:	16030002	



Vérifiez que la tension du réseau est conforme à la tension indiquée sur l'étiquette signalétique de l'appareil. Lors de l'installation ou de l'encastrement d'une plaque de cuisson juste à côté d'un mur, d'une paroi, d'un meuble de cuisine, d'un revêtement de décoration etc., il est conseillé que ces éléments ne soient pas en matériaux inflammables. Si ce n'est pas le cas, ils devront être protégés avec une couche d'un matériau isolant non inflammable adapté. Les réglementations de protection contre le feu doivent être assidûment respectées !

La plaque de cuisson à induction doit être installée sur une surface plane et propre (table, plan de travail etc.) à son emplacement final. Il doit être installé pour qu'il ne soit plus possible de le bouger. Les conditions d'installation doivent être respectées.

Supprimez tous les objets de la zone de chauffe. Assurez-vous que la zone de chauffe n'est pas fissurée ou cassée. Arrêtez immédiatement d'utiliser l'appareil si la plaque vitrocéramique est fissurée ou cassée, coupez alors l'appareil et retirez la fiche de la prise.

Mettez le régulateur de puissance sur la position éteinte (0) avant de brancher l'appareil au réseau.

ESSAI D'UTILISATION

Attention

Une poêle chaude transfère sa chaleur sur la zone de chauffe. Pour éviter toute blessure, ne touchez pas la zone de chauffe.

Utilisez une poêle adaptée à l'induction dont le diamètre du fond est d'au moins 12 cm.

Pour tester le fonctionnement de l'appareil, il est tout d'abord nécessaire de l'allumer puis de procéder comme ci-dessous décrit.

Positionnez la poêle au milieu de la zone de chauffe et versez-y de l'eau.

- Avec LED Tournez le régulateur de puissance sur allumé (position entre Min et Max). La LED verte clignote (degré de cuisson 10%-30%) ou bien elle est allumée (degré de cuisson 30%-100%), l'eau se réchauffe.
- Avec écran numérique (1-9) Tournez le régulateur de puissance sur allumé (position entre Min et Max). L'écran indique la puissance choisie entre 1 et 9.
- Avec LED Lorsque vous retirez la poêle de la zone de chauffe, la LED verte doit clignoter (recherche du récipient).
- Repositionnez la poêle sur la zone de chauffe ; la LED se rallume et la cuisson recommence.
- Tournez le régulateur de puissance sur la position 0. La cuisson arrête et la LED s'éteint.
- Lorsque l'ampoule est allumée, cela signifie que de l'énergie est transférée au récipient.
- Avec un écran numérique (1-9) Lorsque vous retirez la poêle de la zone de chauffe, l'écran doit indiquer le symbole de recherche du récipient (voir Message d'erreur).
- Remettez la poêle sur la zone de chauffe ; l'écran indique à nouveau la puissance choisie et la cuisson commence à nouveau.
- Tournez le régulateur de puissance pour le mettre sur la position 0. La cuisson s'arrête et l'écran s'éteint.
- La présence d'un numéro sur l'écran indique que de l'énergie est transférée vers la poêle. Si la LED ou l'écran numérique restent éteints ou qu'ils clignent brièvement, essayez les fonctions suivantes :
- L'appareil est-il branché au réseau ou l'interrupteur principal est-il allumé ?
- Le régulateur de puissance est-il réglé sur la position Allumé ?
- Utilisez-vous une poêle adaptée pour l'induction (essayez avec un aimant) dont le diamètre du fond est d'au moins 12 cm ?
- La poêle est-elle située au centre de la zone de chauffage (à l'exception des appareils avec spirales) ?

Pour savoir si le matériau de la poêle est adapté pour un appareil à induction, utilisez un aimant qui doit rester collé au fond de la poêle. Si ce n'est pas le cas, votre poêle n'est pas adaptée pour ce type d'appareil.

Utilisez une poêle adaptée pour l'induction.

Si l'appareil continue de ne pas fonctionner, consulter le point Pannes/Suppression des pannes.

EXIGENCES RELATIVES À L'ENVIRONNEMENT

Température ambiante maximale

- Stockage >-20°C jusqu'à +70°C

Exploitation >+5°C jusqu'à +35°C

Humidité ambiante relative maxi

- Stockage >10% jusqu'à 90%

Exploitation >30% jusqu'à 90%

MÉSURES DE SÉCURITÉ POUR LA PROTECTION CONTRE INCENDIE SELON EN 06 1008 ARTICLE 21:

- l'appareil ne peut être utilisé que par des personnes majeures
- l'appareil peut être utilisé dans un espace ordinaire selon EN 332000-4-482; 332000-4-42
- l'appareil doit être placé ou suspendu d'une manière stable sur une surface ininflammable

Il est interdit de placer sur l'appareil ou dans la distance inférieure à 10 cm de l'appareil des objets inflammables.

- les distances de sécurité pour les matériaux inflammables selon leurs degré d'inflammabilité et les informations sur l'inflammabilité des matériaux de construction – voir le tableau

Tableau:

degré d'inflammabilité d'un matériel de construction (EN 730823)

A ininflammables	granit, grès, béton, briques, carrelage céramique, enduit
B difficilement inflammables	acumin, héraclite, lihnos, itaver
C1 mal inflammables	bois des arbres feuillus, contre-plaqué, papier durci, umakart
C2 inflammabilité moyenne	aggloméré, solodur, liège, caoutchouc, revêtements
C3 inflammabilité facile	planches de fibre de bois, polystyrène, polyurethane, PVC

L'appareil doit être installé d'une manière sûre. Pour l'ajustage de l'appareil est ce-ci procuré des pieds réglables.

- EN 06 1008 protection contre incendie des consommateurs d'énergie locaux et des émetteurs de chaleur
- EN 33 2000 (33 2000-4-482; 33 2000-4-42) le milieu pour les appareil électriques

BRANCHEMENT ÉLECTRIQUE

Installation de prise de courant – La prise de courant doit avoir un coupe-circuit indépendant en dépendance de puissance fournie de l'appareil. Vérifiez la puissance de l'appareil sur la plaque des caractéristiques techniques.

Branchez l'appareil directement au réseau, il faut mettre un interrupteur entre le réseau et l'appareil, son ouverture de contacts étant 3 mm au minimum. Câble de terre (vert-jaune) ne peut pas être interrompu par cet interrupteur. En tout cas, le câble de prise de courant doit être placé de telle manière que sa température ne dépasse jamais la température du milieu de plus que 50°C. Avant le branchement au réseau, s'assurer que :

- le coupe-circuit et distribution intérieure peuvent endurer la charge de l'appareil (voir la plaque)
- la mise à la terre fonctionne selon les normes en vigueur (EN) et selon la loi
- la prise ou l'interrupteur de circuit sont faciles d'accès

Le fabricant rénonce à toute responsabilité en cas que les normes ne seront pas respectés ainsi qu'en cas de dérogation des règles mentionnés ci-haut.

Avant la première utilisation, il faut retirer le film de protection et nettoyer l'appareil – voir chapitre « nettoyage et entretien ».

Entretien:

Il est recommandé de faire contrôler l'appareil dans un service spécialisé au moins une fois par an. Toutes les interventions peuvent être effectuées seulement par une personne qualifiée ayant une autorisation pour ces interventions.

UTILISATION

Déroulement de la cuisson

La plaque de cuisson est immédiatement prête à fonctionner. L'ampoule allumée ou clignotante indique que l'énergie est transmise à la poêle. Sélectionnez la puissance en tournant le bouton du régulateur de puissance. L'apport d'énergie dépend de la position du potentiomètre.

Position MIN > Puissance minimale

Position MAX > Puissance maximale

Au vu des éléments ci-dessous présentés, le cuisinier doit être beaucoup plus attentif lorsqu'il utilise ce type de plaque de cuisson plutôt que les systèmes courants. Dès que la puissance est modifiée par rotation du bouton de régulation, la température de l'aliment en cours de cuisson réagit immédiatement. Une poêle ou une casserole vide seront très rapidement en surchauffe. Ne posez donc JAMAIS un récipient vide sur la plaque vitrocéramique. Commencez par y mettre un liquide ou de la graisse, puis allumez la plaque chauffante. Réglez la puissance en tournant le bouton de régulation pour qu'elle corresponde au mode de cuisson souhaité. Le récipient doit toujours se trouver au centre de la zone de chauffage (à l'exception des appareils avec capteur plat), car dans le cas contraire, le fond chaufferait de façon irrégulière. Lorsque vous chauffez de l'huile ou de l'eau, contrôlez régulièrement le récipient pour éviter que son contenu ne brûle et que l'huile ou la graisse s'y enflamment.

Attention ! Le récipient dans lequel vous cuisinez ne peut se trouver sur la plaque chauffante que lorsque son fond ne dépasse pas la plaque. Aucune poêle ou casserole chaude ne doit être posée sur le panneau de commande, l'écran ou le cadre. Le non-respect de cette instruction peut entraîner l'endommagement du récipient et de l'appareil. Que peut-il arriver ? Le récipient fond, éventuellement les récipients voisins fusent, les matériaux qui se trouvent entre la plaque chauffante et son support brûlent du fait de la chaleur émise par les casseroles, les joints d'étanchéité sont ainsi endommagés et l'humidité et la graisse peuvent alors pénétrer à l'intérieur de l'appareil, ce qui entraîne son endommagement. Pannes des écrans et du panneau de commande.

Confort

La plaque de cuisson à induction ne transfère l'énergie que si un récipient se trouve sur la zone de chauffage. La position du régulateur de puissance n'a aucun effet dans ce sens, c'est-à-dire que si vous retirez la poêle de la zone de chauffage, le transfert d'énergie s'arrête immédiatement. Lorsque vous remettez la poêle sur la plaque, l'énergie y est à nouveau transférée au niveau de puissance choisi. Si vous éteignez la plaque de cuisson avec le bouton, la cuisson s'arrête. La plaque de cuisson reste cependant prête à être utilisée (position de standby) ; l'arrivée du courant ne s'arrête qu'en retirant la fiche de la prise ou en coupant l'interrupteur principal.

Version logiciel

Mise en marche du générateur

secondes	Explications
1	8. (essai du segment)
2	F ou P (Fréquence ou Impulsions d'exploitation)
3	2. Version logiciel premier chiffre
4	1 Version logiciel deuxième chiffre
5	9 Version logiciel troisième chiffre

Utilisation normale

En mode Veille (le potentiomètre éteint), le point des décimales clignote toutes les deux secondes. Lorsque le réglage du potentiomètre est allumé, la casserole est tout d'abord recherchée : le caractère U et le point des décimales indiquent la recherche de la casserole (après une minute, il passe en mode de veille et émet des impulsions de recherche toutes les 5 secondes). Lorsque la casserole est détectée, le réglage de la puissance 1 à 9 apparaît sur l'écran.

Signification du point des décimales :

Allumé	= fonctionne
Pulsation d'1 sec.	= restriction due à une température trop importante du refroidisseur
Pulsation d'1/2 sec.	= restriction due à une température trop importante de la spirale / du récipient
Pulsation d'1/4 sec.	= restriction de la puissance
Pulsation d'1/10 sec.	= restriction de puissance lorsque le matériau du récipient n'est pas optimal

MODE D'EMPLOI

Attention !

Avant la première utilisation, il faut laver l'appareil à l'aide d'un torchon humide et d'un détergent. Rincer et sécher.

Avant la 1ère mise en route retirer la feuille de protection. Nettoyer toutes les surfaces à l'aide d'un chiffon doux, d'eau tiède et d'un détergent, de façon à éliminer les produits antirouille appliqués durant la fabrication et essuyer ensuite l'appareil à l'aide d'un chiffon propre.

Au début du fonctionnement, activez l'interrupteur principal qui ne se trouve pas sur l'appareil. Pendant le fonctionnement, commandez l'appareil uniquement à l'aide de ses boutons de réglage. En cas d'arrêt prolongé, éteignez avec l'interrupteur principal de l'appareil.

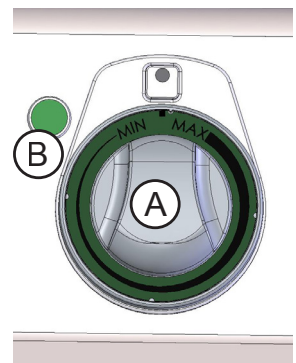
OBSERVATIONS ET RECOMMANDATIONS

Tournez le bouton de réglage (A) afin d'ajuster la puissance démodée. Le voyant vert (B) va être allumé. Le voyant vert (B) est allumé si l'appareil est sous tension. Pour débrancher l'appareil retournez le bouton de réglage (A) à la position "0".

Lorsque la plaque est allumée, le témoin clignote pour indiquer que la plaque chauffante est allumée. Il est allumé de façon permanente lorsqu'un récipient est positionné sur la plaque chauffante. Un témoin qui est allumé de façon continue indique le transfert d'énergie vers le récipient.

MAINTENANCE

Il est conseillé de faire contrôler l'appareil au moins une fois par an par un eservice spécialisé. Tous les interventions dans l'appareil peuvent être effectuées uniquement par une personne qualifiée, possédante l'autorisation à telles opérations.



ATTENTION !

- POSITIONNEZ TOUJOURS LE RÉCIPIENT AU CENTRE DE LA PLAQUE CHAUFFANTE
- LE RÉCIPIENT NE DOIT PAS DÉPASSER LE CONTOUR QUI EST ILLUSTRÉ AUTOUR DE LA SURFACE DE CHAUFFE EN VERRE
- CET APPAREIL NE FONCTIONNE QU'AVEC DES RÉCIPIENTS CONÇUS POUR L'INDUCTION
- NE PLACEZ JAMAIS UN RÉCIPIENT VIDE SUR LA SURFACE DE CHAUFFE
- L'APPAREIL NE FONCTIONNE QU'AVEC DES RÉCIPIENTS D'UN DIAMÈTRE MINIMAL DE 12 CM

ARRÊT DE L'UTILISATION

Si vous n'utilisez pas l'appareil à induction, assurez-vous que le régulateur de puissance, éventuellement l'interrupteur principal ne sont pas restés allumés. Si vous n'utilisez pas l'appareil pendant plusieurs jours, retirez la fiche de la prise et coupez l'interrupteur principal. Empêchez les liquides de pénétrer dans l'appareil et ne lavez jamais avec des liquides.

NETTOYAGE ET ENTRETIEN

ATTENTION! Le nettoyage au jet d'eau ou sous pression n'est pas autorisé.

Nettoyer l'appareillage tous les jours. Le nettoyage quotidien prolonge la durée de service et l'efficacité d'appareillage. Avant d'effectuer toute entretien, il faut débrancher l'appareil du réseau électrique. Les parties en inox doivent être nettoyées avec un chiffon humide, à l'aide d'un détergent liquide, non abrasif et ensuite être bien essuyées. Pour éliminer les reliefs du plan de travail, il est possible d'utiliser une spatule.

Comment procéder en cas d'une panne

Débrancher la prise du cordon secteur et contacter le service après-vente du revendeur.

- La graisse et les tâches de calcaire peuvent être nettoyées avec les produits conseillés comme Polychrom ; Sgolin chrom, Inox crème, Vif Super-Reiniger, Supernettoyant.
- Il est également possible d'utiliser une lame de rasoir ou une éponge non grattante.
- La surface vitrocéramique ne doit pas être nettoyée avec des agents contenant des éléments abrasifs, des boules de fer ou des éponges avec surface grattante, car cela pourrait endommager la surface de chauffe.

Aucun liquide ne doit pénétrer dans l'appareil pendant le nettoyage.

MAINTENANCE

Il est conseillé de faire contrôler l'appareil au moins une fois par an par un service spécialisé. Tous les interventions dans l'appareil peuvent être effectuées uniquement par une personne qualifiée, possédant l'autorisation à telles opérations

AVERTISSEMENT

La garantie ne couvre pas de pièces soumises à l'usure normale (étanchements en caoutchouc, lampes, pièces plastiques et en verre, etc.) ainsi que l'appareillage dont l'installation n'a pas été exécuté conformément à la mode d'emploi, par une personne qualifiée et conformément aux normes correspondantes. La garantie ne couvre pas de dommages causés par une manipulation non autorisée (interventions dans l'appareillage intérieure) ou si l'appareil était servi par des personnes non qualifiées et/ou en cas de non-respect des instructions du manuel d'utilisation. La garantie ne couvre pas de dégâts causés par des actions naturelles ou par d'autres influences extérieures.

ATTENTION : L'appareil doit être débranché du réseau électrique pendant toutes les opérations de nettoyage et d'entretien.

Cet appareil à induction ne peut être ouvert que par des employés autorisés ayant suivi une formation. N'utilisez plus l'appareil si la surface vitrocéramique est fissurée ou cassée. Dans un tel cas, il est nécessaire d'immédiatement éteindre l'appareil et de retirer la fiche de la prise. Ne touchez aucun des éléments à l'intérieur de l'appareil.

Attention

Ne pas ouvrir l'appareil à induction.

Risque de tension !

SUPPRESSION DES PANNES

Malfunction	Possible cause	Precautions by users or servicing personnel
The hotplate does not heat up The bulb is not lit	No power supply	Check whether the appliance is connected to the mains (the plug is in the socket) and whether the main switch is on.
	The power regulator is in the "off" position	Turn the power regulator to the "on" position
	The main switch is OFF	Switch the main switch on
	The pan is too small (bottom diameter less than 12 cm)	Use a suitable pan
	The pan is not in the middle of the heating zone (the pan could not be recognised)	Move the pan to the centre of the heating zone
	Unsuitable pan	Choose a pan suitable for induction* 1
	The induction cooker is broken	Contact your supplier to request servicing. Remove the plug from the socket.
Insufficient heat output	The pan used is not ideal	Choose a pan suitable for induction. Compare with the results of "your" pan.
	The ambient temperature is too high (the cooling system is not capable of keeping the hotplates at operating temperature *2)	Ensure that no hot air is being drawn into the appliance. Reduce the ambient temperature. The temperature must not exceed 40 °C / 115 °F.
	One phase is missing	Test the circuit breakers and fuses.
	The induction cooker is broken	Contact your supplier to request repair services. Remove the plug from the socket.
No response to the setting regulator being turned	The regulator is broken	
The heating switches off and on within several minutes. The ventilator is running.	The cooling system is blocked/malfunctioning	Ensure that the air intake and off take vents are not blocked.
	Ventilator dirty.	Clean the ventilator.
The heating switches off and on within several minutes. The ventilator is not running.	Ventilator malfunction or ventilator control malfunction	Contact our supplier to request repair services. Remove the plug from the socket.
The heating switches off and on within several minutes. (after an extended period of operation without interruption).	The spiral is overheated. The cooking zone is too hot.	Switch the cooker off, remove the cookware and wait until the cooking zone cools.
	Empty container	
	Overheated oil in a pan	
Small metal items (e.g. spoons, knives) are heating in the cooking zone	Incorrectly configured cookware recognition	Test the control panel (only the supplier's servicing personnel).

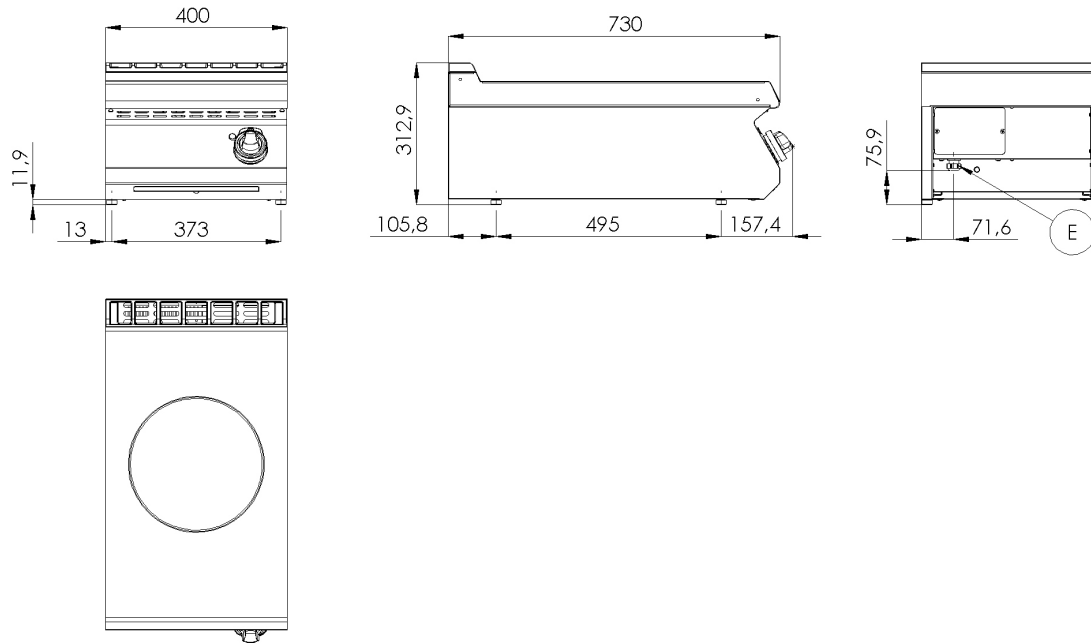
1*) Pour savoir si le matériau de votre récipient est adapté pour cet appareil à induction, utilisez un aimant qui doit rester collé au fond du récipient. Si ce n'est pas le cas, votre récipient n'est pas adapté pour un appareil à induction. Choisissez un récipient dont le matériau conviendra pour le chauffage par induction.

2*) La ventilation commence à fonctionner lorsque la température du système de refroidissement dépasse les 45°C. Lorsque les températures du système de refroidissement dépassent les 70°C, le mécanisme de contrôle diminue automatiquement la puissance pour permettre de maintenir des conditions d'exploitation normales. L'appareil à induction continue de fonctionner avec une puissance maximale réduite.

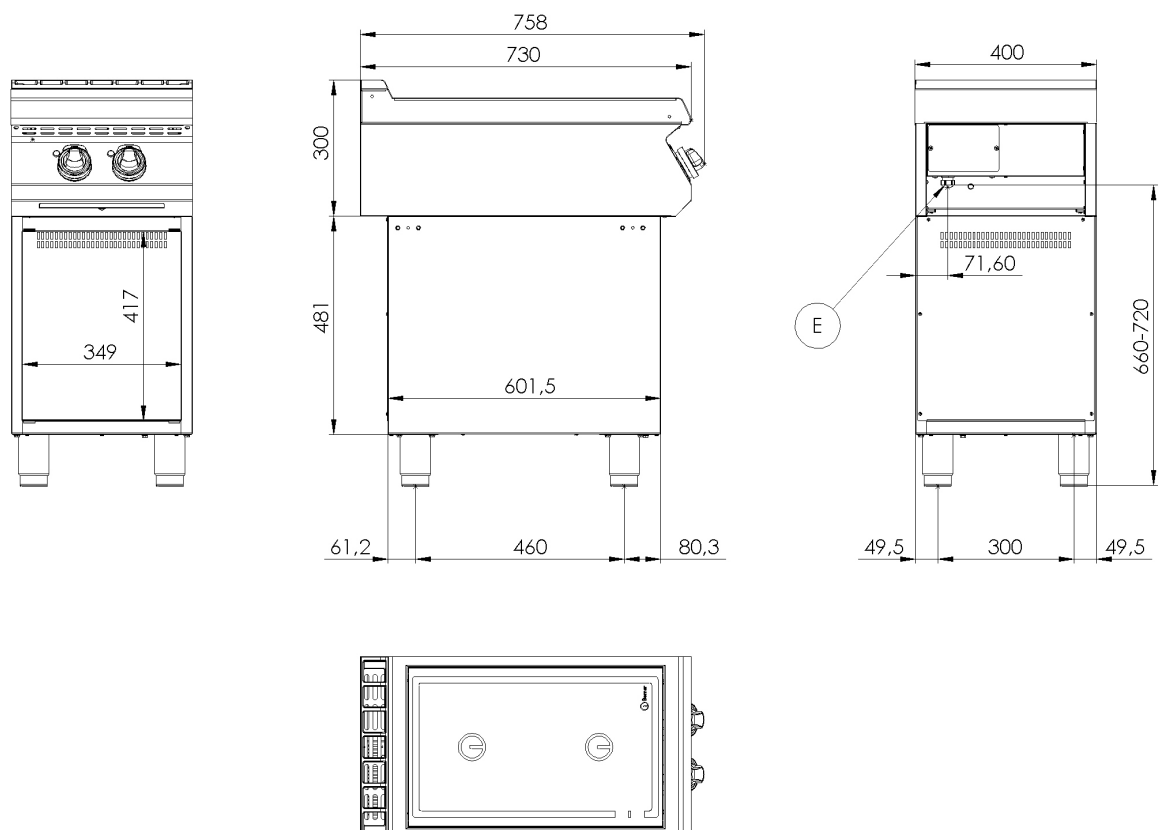
Si le câble d'alimentation de l'appareil est endommagé, il doit être changé par le fabricant ou le service clientèle, éventuellement par une autre personne qualifiée afin d'éviter tout risque d'accident.

DIMENSION PLANS / MASSSKIZZEN / DIMENSIONS

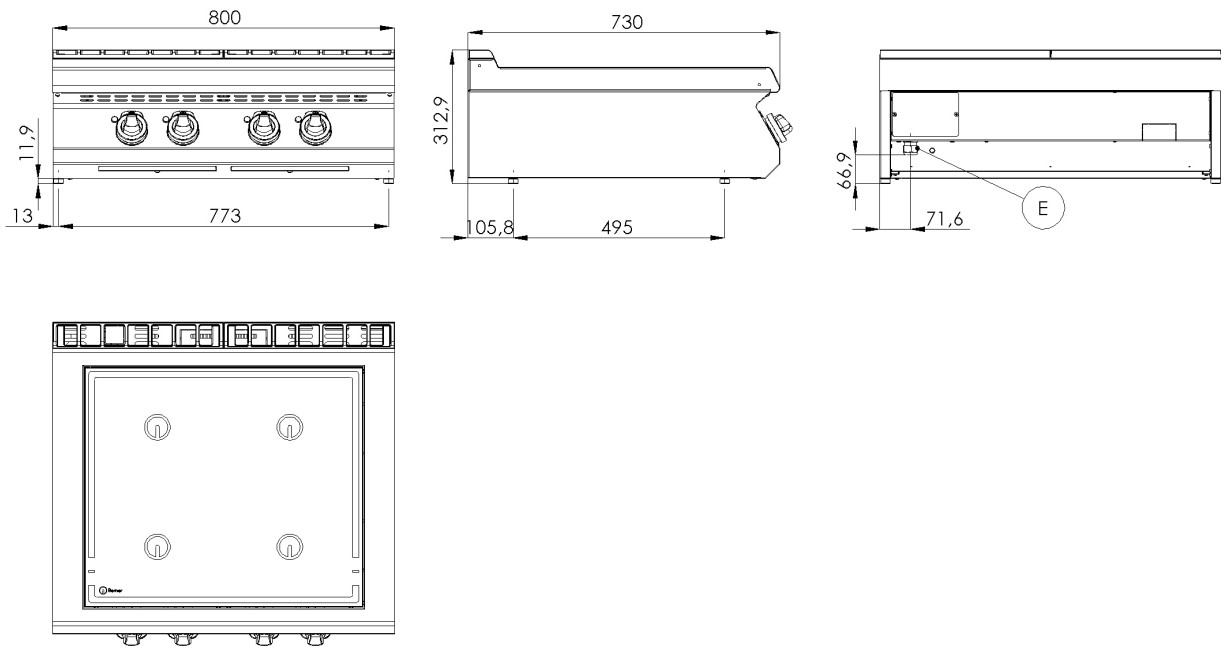
SPI-704 E / SPI-704 ES / SPI-704 E WOK



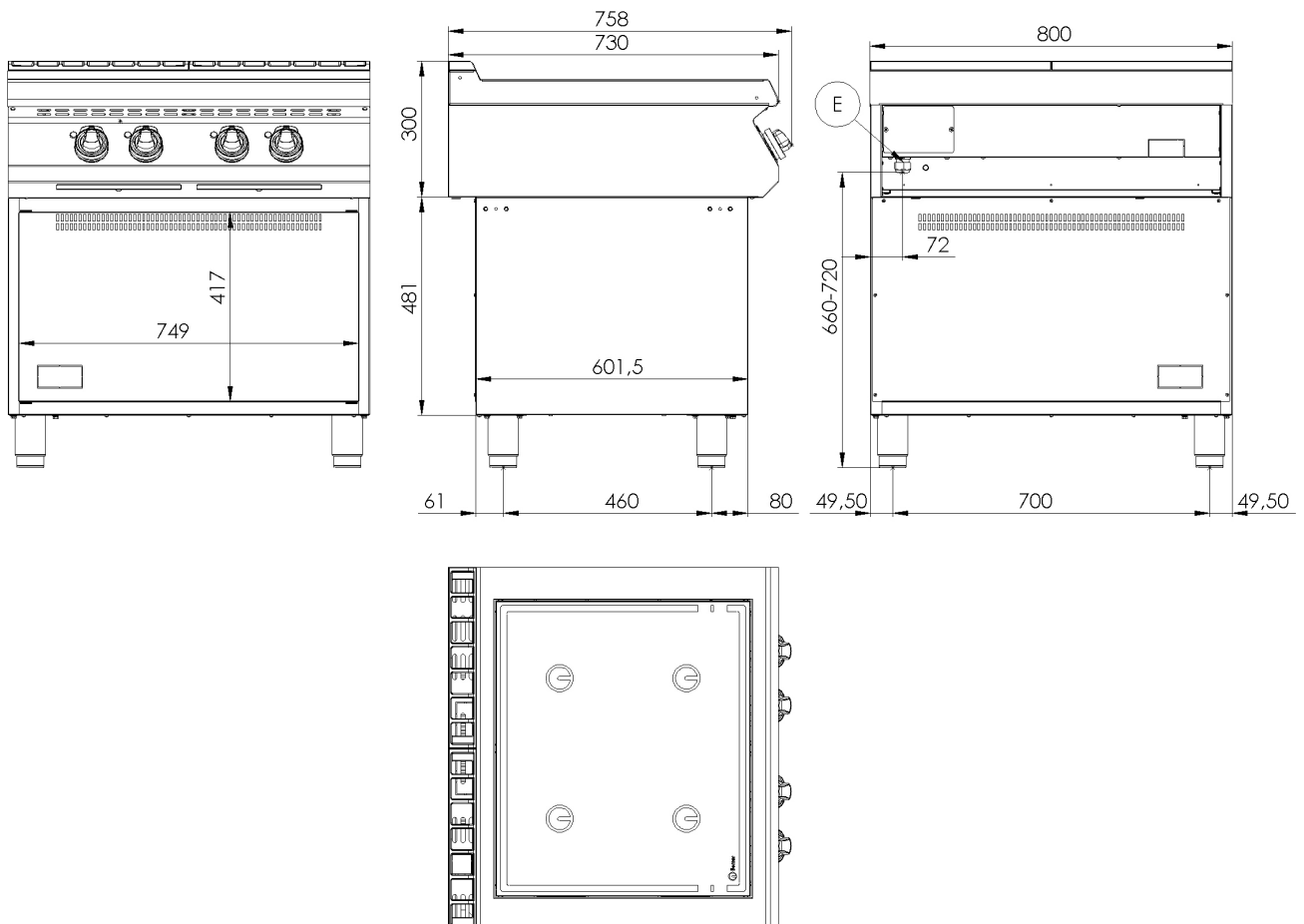
SPI-740 E / SPI-740 ES / SPI-740 E WOK



SPI-708 E / SPI-708 ES

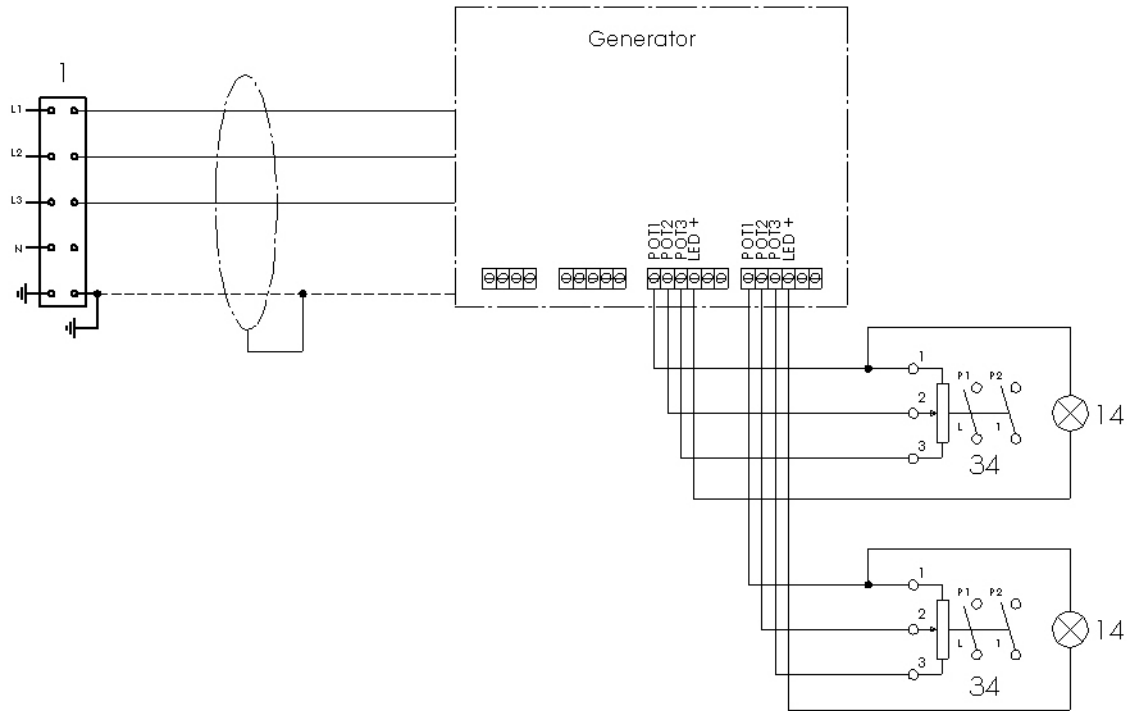


SPI-780 E / SPI-780 ES

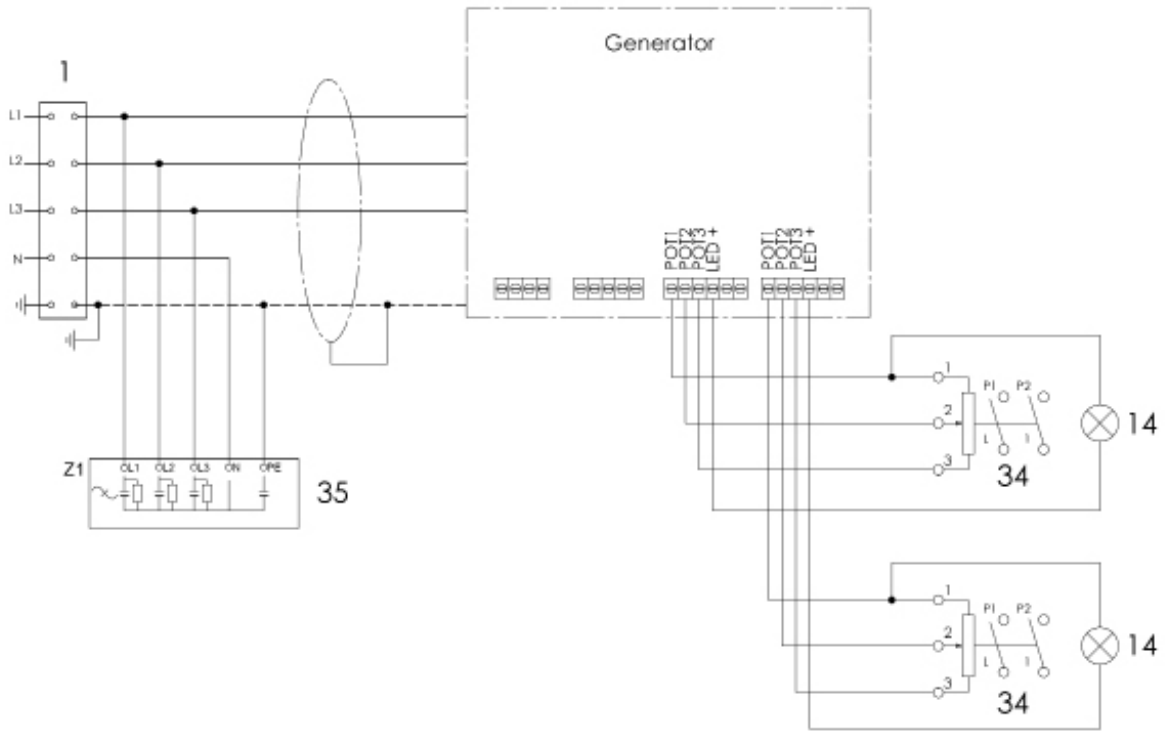


EL. CONNECTION DIAGRAM / SCHALTPLAN / SCHÉMA DU ELECTRIQUE

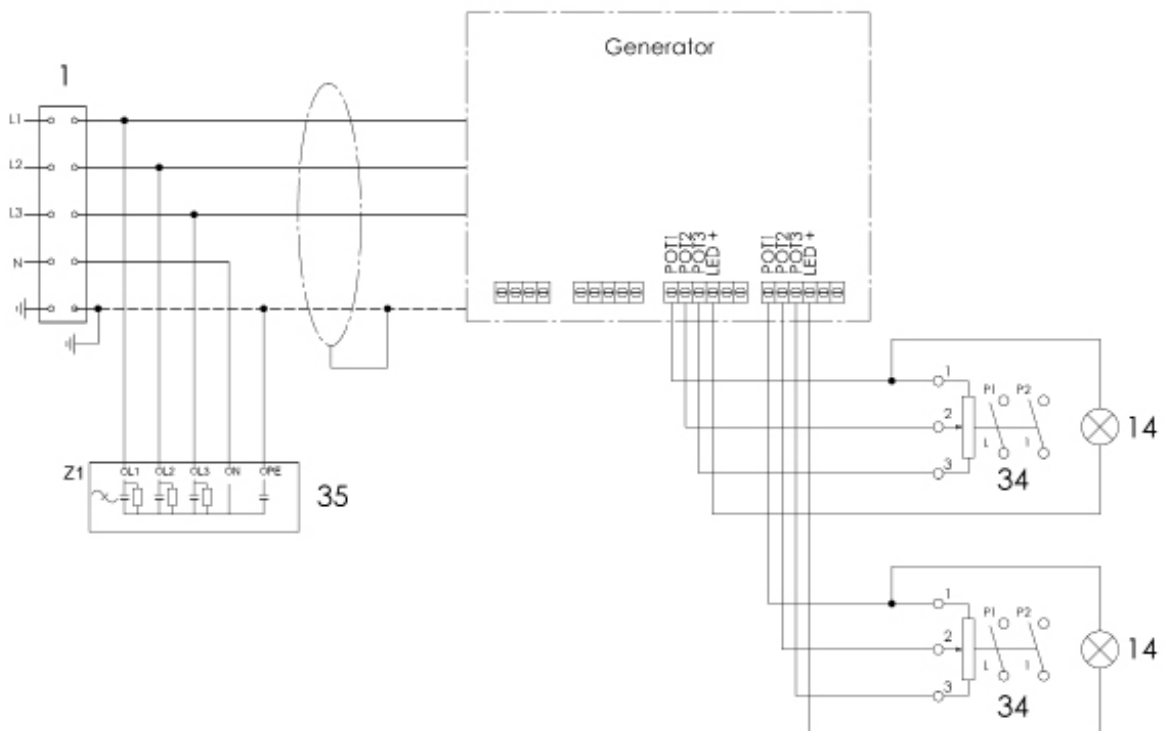
SPI-704 E WOK / SPI-740 E WOK



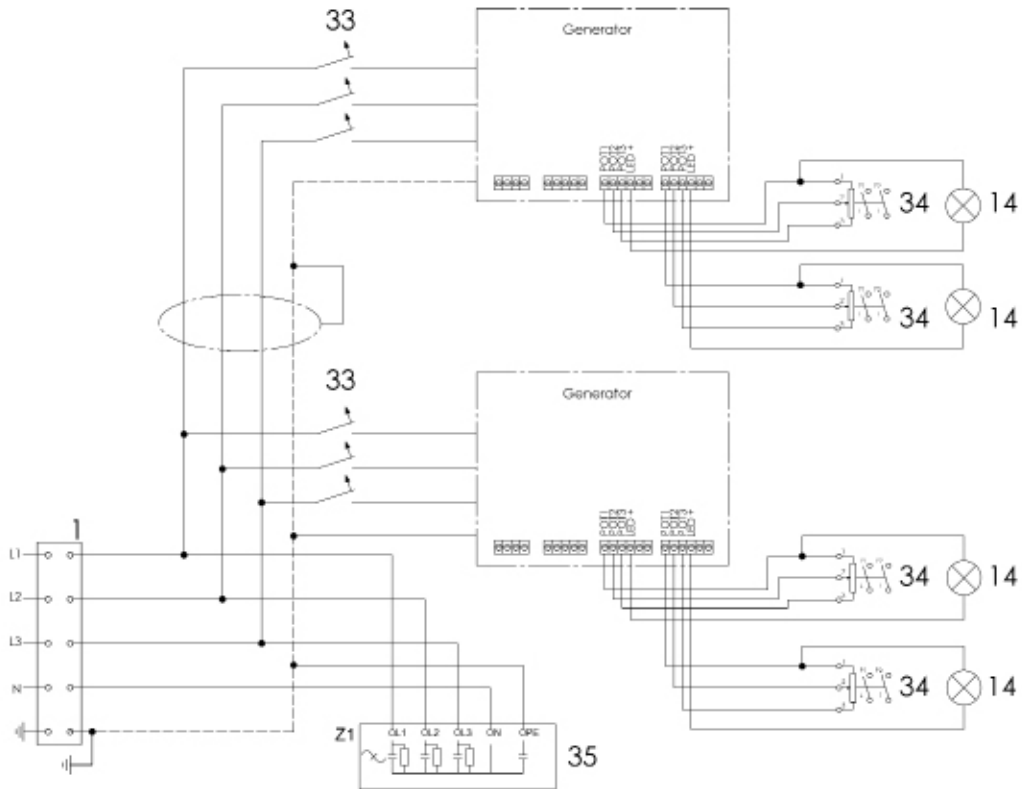
SPI-704 ES / SPI-740 ES



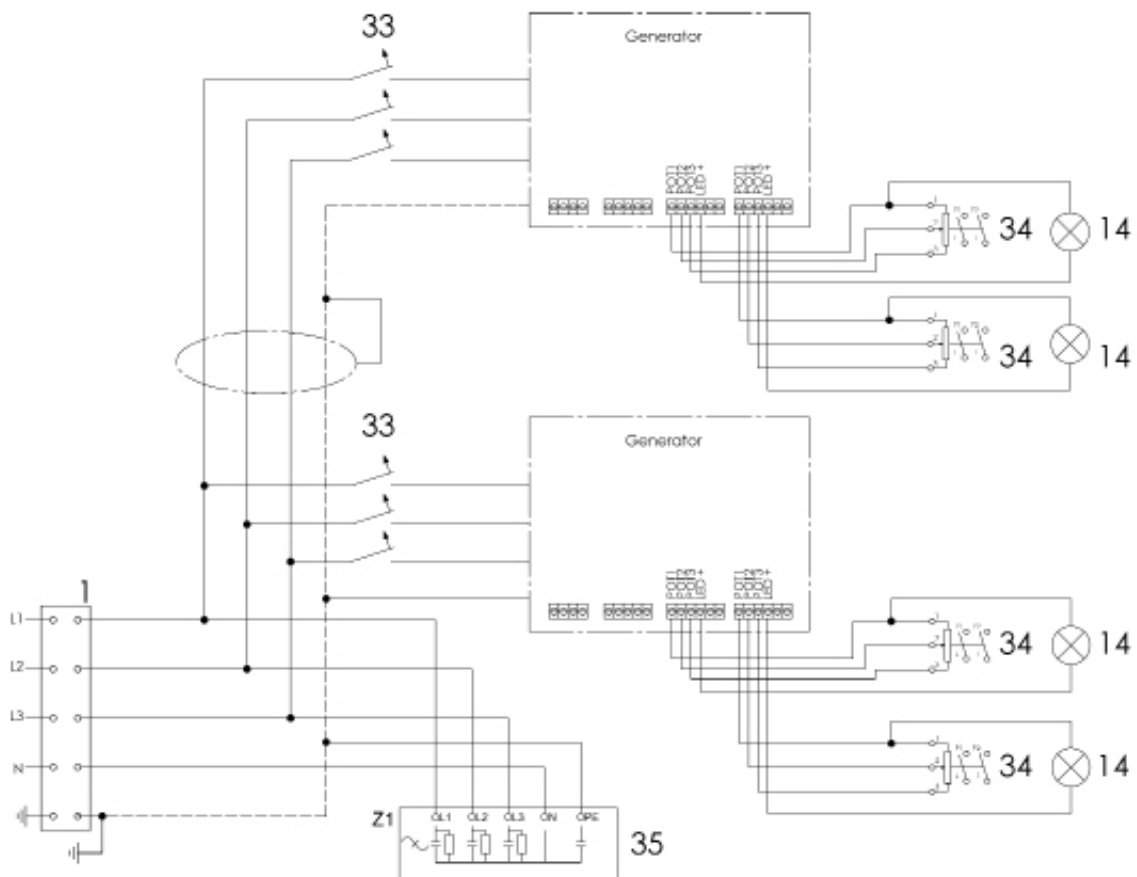
SPI-704 E / SPI-740 E



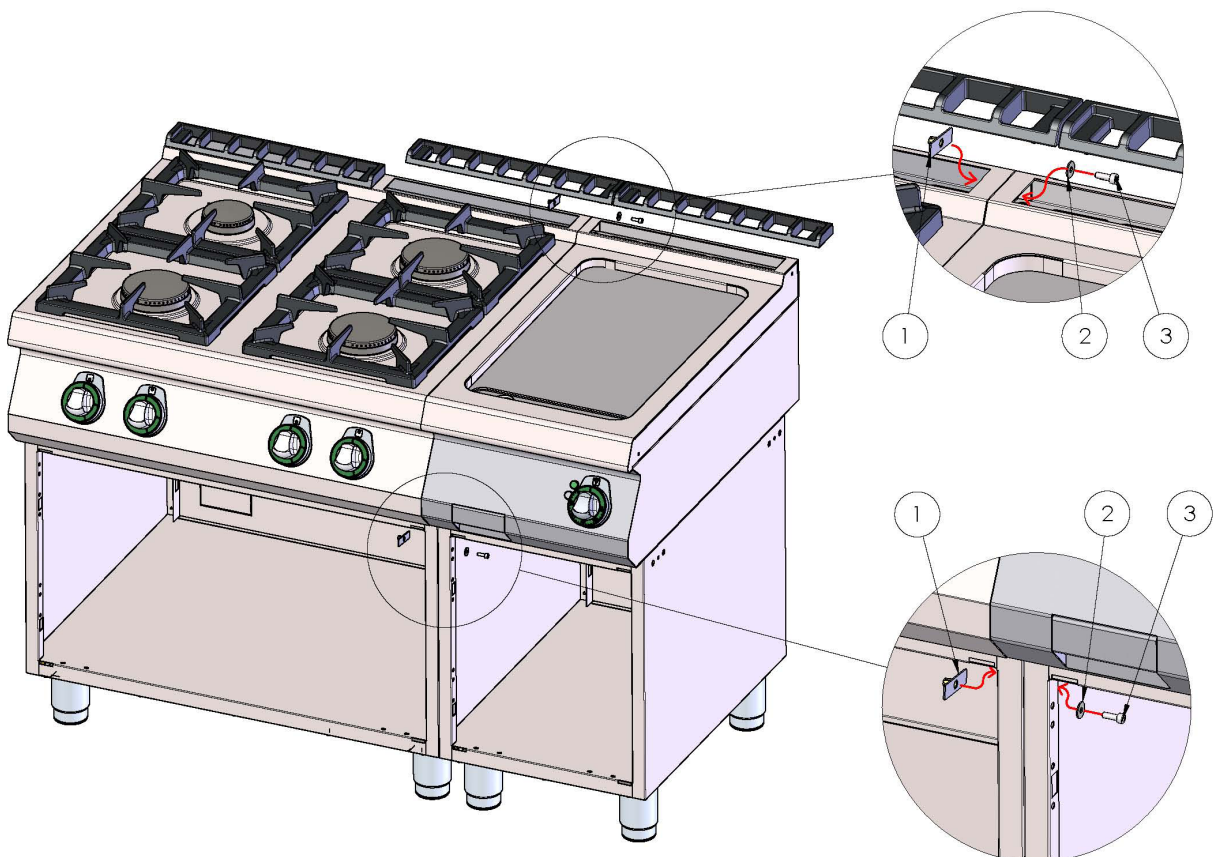
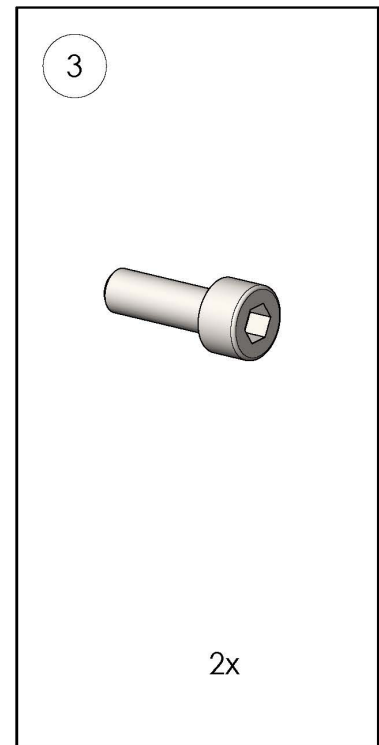
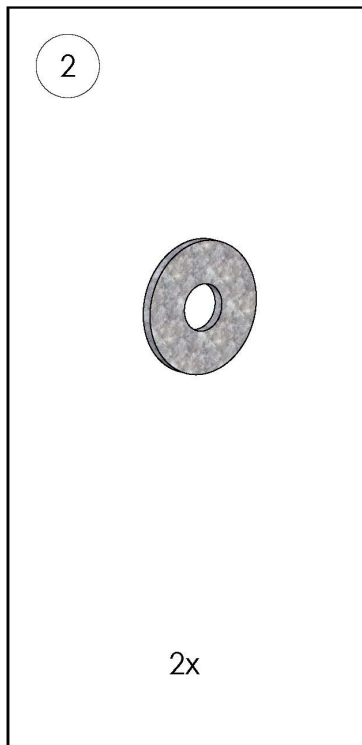
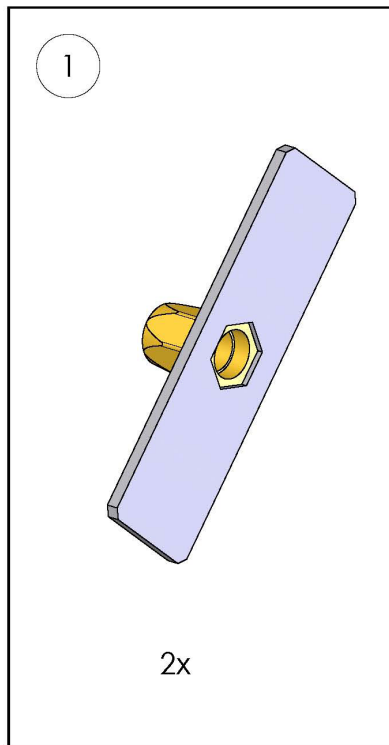
SPI-708 E / SPI-780 E



SPI-708 ES / SPI-780 ES



connection modules/ Anschlussmodule/ les modules de connexion



BEZPEČNOSTNÍ POKYNY



Tento návod si pečlivě přečtete. Návod k montáži a k použití uschovejte pro pozdější použití nebo pro dalšího majitele. Po vybalení spotřebič vyzkoušejte. Pokud došlo při přepravě k poškození, nezapojujte jej. Škodu písemně zdokumentujte a zavolejte zákaznickou službu, jinak propadá nárok na záruku. Vestavba spotřebiče musí být provedena podle přiloženého návodu k montáži. Spotřebič je určen pouze k přípravě pokrmů. Spotřebič mějte během provozu pod dohledem. Používejte jej pouze v uzavřených prostorách. Nepoužívejte žádné poklopy na plotýnky. Mohly by způsobit úraz, například při přehřátí, vzplanutí nebo prasknutí. Nepoužívejte žádná nevhodná ochranná zařízení nebo mřížky na ochranu dětí. Mohou způsobit úraz. Tento spotřebič není určen k provozu ve spojení s externím časovačem nebo dálkovým ovladačem.

Pokud máte pacemaker nebo nějaké jiné elektronické lékařské zařízení, buďte opatrní, neboť se po zapnutí plotýnky nacházíte v jejím indukčním poli. Informujte se u svého lékaře nebo u výrobce lékařského zařízení, zda může dojít k rušení jeho činnosti, nebo zda nebude ovlivněno.

Nebezpečí požáru!

- Horký olej a tuk se snadno vznítí. Nikdy neponechávejte horký olej nebo tuk bez dozoru. Pokud dojde ke vznícení, nikdy nehaste oheň vodou. Vypněte plotýnku. Plameny uduste opatrně pokličkou, hasicí přikrývkou nebo jiným podobným způsobem.
- Plotýnky jsou velmi horké. Nikdy nepokládejte na varnou plochu hořlavé předměty. Neskladujte na varné ploše žádné předměty.
- Spotřebič je horký. Nikdy neuchovávejte hořlavé předměty nebo spreje přímo pod varnou plochou.

Nebezpečí popálení!

- Plotýnky a jejich okolí, zvláště případný rám, jsou horké. Nikdy se nedotýkejte horkých ploch. Nepouštějte ke spotřebiči děti.
- Plotýnka hřeje, ale displej nefunguje. Vypněte pojistky. Zavolejte zákaznickou službu.
- Kovové předměty se na varné ploše velice rychle zahřejí. Nikdy neodkládejte na varnou plochu kovové předměty, jako jsou např. nože, vidličky, lžíce a pokličky.
- Po každém použití vypněte plotýnku hlavním vypínačem. Nečekejte, až se varná plocha automaticky vypne, protože se na ní už nenacházejí žádné hrnce a pánve.
- **Nebezpečí úrazu elektrickým proudem!** Neodborné opravy jsou nebezpečné. Opravy smí provádět a poškozené vedení vyměňovat jen námi vyškolený technik zákaznické služby. Pokud je na spotřebiči závada, vytáhněte zástrčku ze zásuvky nebo vypněte pojistky. Zavolejte zákaznickou službu.
- Pokud do spotřebiče vnikne vlhkost, může to způsobit úraz elektrickým proudem. Nepoužívejte žádný vysokotlaký čistič nebo parní čistič.
- Závada na spotřebiči může způsobit úraz elektrickým proudem. Nikdy nezapínejte porouchaný spotřebič. Vytáhněte zástrčku ze zásuvky nebo vypněte pojistky. Zavolejte zákaznickou službu.
- Praskliny nebo trhliny ve sklokeramickém povrchu mohou způsobit úraz elektrickým proudem. Vypněte pojistky. Zavolejte zákaznickou službu.

Nebezpečí poškození!

- Varná plocha je na spodní straně vybavena ventilátorem. Dodržujte návod k vestavbě zařízení pro vedení vzduchu.

Pozor !

- Drsná dna hrnců a pánví poškrábou povrch varné plochy.
- Nikdy nestavte na varnou plochu prázdné nádoby. Může to způsobit škody.
- Nestavte horké hrnce nebo pánve na ovládací plochu, displeje nebo rámy plotýnek. Může to způsobit škodu.
- Pokud na varnou plochu spadnou tvrdé a špičaté předměty, mohou vzniknout škody.
- Hliníková fólie a plastové nádoby se na horkých plotýnkách roztaví. Nedoporučuje se používat ochranné fólie do trouby.

BEZPEČNOSTNÍ PŘEDPISY

Obecný varovný symbol

Při nedodržování bezpečnostních předpisů hrozí nebezpečí (poranění)



Tento symbol varuje před **nebezpečným napětím**.
(vyobrazení 5036 IEC 60417-1)



Tento symbol varuje před **neionizujícím elektromagnetickým zářením** (vyobrazení 5140 IEC 60417-1)

Pozor

Při použití v rozporu s účelem či neodborné manipulaci může dojít k menším zraněním nebo škodám!

Varovné symboly, které se nacházejí přímo na spotřebiči, je bezpodmínečně nutné dodržovat a zajistit, aby zůstaly stále čitelné.

Pozor

Před použitím nebo údržbou spotřebiče je nutné přečíst si návod k použití.

Nebezpečí, vyplývající z nedodržování bezpečnostních předpisů

Nedodržování bezpečnostních předpisů může ohrozit bezpečnost osob, okolí a samotného spotřebiče. Při nedodržení bezpečnostních předpisů nevzniká nárok na náhradu škod.

Konkrétně může nedodržení bezpečnostních předpisů způsobit následující rizika

(Příklady):

- Ohrožení osob elektrickým proudem
- Ohrožení osob horkým nádobím
- Ohrožení osob horkými varnými plochami (sklokeramikou)

Bezpečné používání

Bezpečnostní předpisy, obsažené v tomto návodu, platné národní předpisy pro práci s elektrickými zařízeními a pro zabránění úrazům a interní provozní pracovní a bezpečnostní předpisy musí být dodržovány.

- **Pozor!** Nádobí, v němž vaříte, smí stát na plotýnce pouze tak, že jeho spodek nepřesahuje její obvod. Na ovládací pole, displej nebo rám se nesmějí stavět žádné horké hrnce nebo pánve. Nedodržení tohoto pokynu má za následek poškození nádobí i spotřebiče.
- **K čemu dojde:** nádobí se roztaví, popřípadě staví dohromady, materiál ve fugách mezi spotřebičem a deskou se horkem z hrnců vypálí, tím se zničí těsnění a začne vnikat vlhkost a mastnota, což může vést k poruše spotřebiče. Poruchy displejů a ovládacího pole.
- Pokud je sklokeramický povrch prasklý nebo rozbitý, je nutné vařič vypnout a odpojit jej od zdroje elektrického proudu. Nedotýkejte se žádných částí uvnitř indukčního vařiče.
- Sklokeramický povrch se po umístění nádoby zahřívá. Abyste zabránili poranění (popálení), nedotýkejte se sklokeramického povrchu.
- Dejte, prosím, pozor na horké pokrmy a tekutiny.
- **PROSÍM POZOR:** upozorňujeme, že podlaha v okolí spotřebiče může být kluzká. To může způsobit zranění.
- Abyste zabránili přehřátí nádobí vařením naprázdno, nezahřívejte je bez dozoru nebo bez potravin.
- Pokud nádobí sejmete, vypněte plotýnku. Tak se vyhnete automatickému zapnutí plotýnky, jakmile na ni znovu nádobu postavíte. Zabráníte tomu, aby se nádoba zahřála bez dozoru. Pokud totiž někdo bude chtít vařič použít, bude ho muset zapnout znovu otočením regulátoru na `zapnuto`.
- Nepoužívejte plotýnku jako odkládací plochu!
- Nepokládejte žádný papír, lepenku, látku atd. mezi nádobu a sklokeramickou plochu, mohlo by dojít ke vznícení. Hliníkové fólie a plastové nádoby se nesmějí na horké povrchy umísťovat.
- Je třeba si uvědomit, že různé předměty, které uživatel nosí, jako například prsteny, hodinky atd. se v blízkosti varné plochy mohou silně zahřát.
- Po použití je nutné plotýnku vypnout vypínačem- nespolehejte na systém rozpoznávání hrnců.
- Nepokládejte na sklokeramickou plochu kreditní karty, telefonní karty, kazety nebo jiné předměty, citlivé na magnetické pole.
- Smějí se používat pouze doporučené typy a velikosti nádobí.
- Indukční vařič má vnitřní chladicí systém. Dejte pozor, aby průduchy, sloužící k přívodu a odvodu vzduchu, zůstaly volné, ničím (např. látkou) je nezakrývejte. Způsobilo by to přehřátí a vypnutí vařiče.
- Zabraňte vniknutí tekutin do vařiče a překypění vody nebo jiné tekutiny přes okraj nádoby. Nečistěte vařič proudem vody.

Neodborná manipulace a použití v rozporu s účelem

Správné a spolehlivé fungování spotřebiče může být zajištěno pouze při správném používání. Hraniční hodnoty, uvedené v technických údajích o spotřebiči, nesmějí být za žádných okolností překročeny nebo sníženy.

Změny / Použití náhradních dílů

Kontaktujte výrobce, pokud na spotřebiči potřebujete provést nějaké změny. Aby byla zaručena bezpečnost, používejte pouze originální náhradní díly nebo příslušenství, schválené výrobcem. Při používání neoriginálních komponent propadá záruka. **Při demontáži, zkoušení a opravách je třeba dbát na stabilitu spotřebiče.**

Pozor! Při výměně náhradních dílů musí být indukční vařič "viditelně odpojen" od zdroje elektrického proudu.

ROZPOZNÁNÍ NÁDOBÍ

Nádoby s menším průměrem dna než 12 cm nebudou rozpoznány. Během provozu svítí kontrolní žárovka LED nebo digitální displej ukazuje zvolený výkon (1-9). Při provozu bez nádobí, nebo pokud nebyla nádoba rozpoznána, případně je vyrobena z nevhodného materiálu, neukáže se žádný výkon, kontrolní žárovka blikne jen krátce nebo se na displeji objeví hlášení, že nebyl rozpoznán žádný hrnec. [viz chybová hlášení](#).

Kontrola topné zóny

Topná zóna je sledována teplotním čidlem, umístěným pod sklokeramickou plochou (střed plotýnky). Přehřáté nádoby (horký olej, prázdné pánve) jsou rozpoznány a je přerušeno přívod proudu. Vařič obnoví přívod energie k nádobě teprve tehdy, když teplota poklesne na normální hodnotu.

Pozor! Před přehřátím je chráněn pouze vařič, nikoli nádoba. Přehřátá nádoba je rozpoznána teprve tehdy, když přehřátí sklokeramické desky dosáhne teploty, při níž se spotřebič vypíná (260°C).

Příčiny hluku

Ventilátory chlazení jsou slyšitelné, během provozu se zapínají a vypínají.

VŠEOBECNÉ POKYNY

Tento návod k použití a obsluze obsahuje základní informace, jichž je třeba dbát při montáži, používání a údržbě. Montér a obsluhující personál je musí před instalací a uvedením do provozu v plném rozsahu přečíst a musí být uloženy v blízkosti vařiče, aby byly kdykoli k dispozici k nahlédnutí.

Použití

Indukční vařiče jsou určeny k přípravě pokrmů. Mohou být využity k vaření, ohřívání, flambování, grilování atd. Pozor, na indukčních vařičích se musí používat výhradně nádoby z indukčního materiálu. Pro výrobu nádob by měly být použity pouze materiály, které doporučujeme a které jsou vhodné pro profesionální použití. Celé dno nádoby musí být magnetické. V případě pochybností to lze vyzkoušet pomocí magnetu.

Výrobce prohlašuje, že přístroje splňují základní požadavky směrnice 2014/30/EU (nařízení vlády č. 117/2016 Sb.) a požadavky směrnice 2014/35/EU (nařízení vlády č. 118/2016 Sb.).

Pozor, výrobce se vzdává jakékoli odpovědnosti v případě přímých i nepřímých poškození, které se vztahují ke špatné instalaci, nesprávným zásahem nebo úpravami, nedostatečnou údržbou, nesprávným používáním, a které jsou eventuálně způsobeny jinými příčinami, jež uvádí body uvedené v podmínkách prodeje. Tento spotřebič je určen pouze pro odborné používání a musí být obsluhován kvalifikovanými osobami. Části, které byly po nastavení zajištěny výrobcem nebo pověřeným pracovníkem, nesmí uživatel přestavovat.

Štítek s technickými údaji je umístěn na boku či zadním panelu přístroje. Před instalací si prostudujte elektrické schéma zapojení a všechny následující informace.

Typ výrobku	Výkon plotýnek (kW)	Výkon celkový (kW)	Přívodní napětí	Rozměr (cm)	Hmotnost netto (kg)
SPI-704 E	2 x 3,5	7	400/3N/50	40x73x30 v	37
SPI-704 ES	2 x 5	10	400/3N/50	40x73x30 v	42
SPI-704 E WOK	2 x 3,5	7	400/3N/50	40x73x30 v	43
SPI-708 E	4 x 3,5	14	400/3N/50	80x73x30 v	69
SPI-708 ES	4 x 5	20	400/3N/50	80x73x30 v	77
SPI-740 E	2 x 3,5	7	400/3N/50	40x73x90 v	49
SPI-740 ES	2 x 5	10	400/3N/50	40x73x90 v	68
SPI-740 E WOK	2 x 3,5	7	400/3N/50	40x73x90 v	41
SPI-780 E	4 x 3,5	14	400/3N/50	80x73x90 v	89
SPI-780 ES	4 x 5	20	400/3N/50	80x73x90 v	94

KONTROLA OBALU A ZAŘÍZENÍ

Zařízení opouští naše sklady v řádném obalu, na kterém jsou odpovídající symboly a označení. V obalu se nachází odpovídající návod k obsluze. Jestliže by obal měl vykazovat špatné zacházení, známky poškození, musí se okamžitě reklamovat u přepravce a to sepsáním a podepsáním protokolu o škodě. Na pozdější reklamace nebude brán zřetel.

Důležité upozornění

Tento návod musí být řádně a pozorně přečten, protože obsahuje důležité informace o bezpečnostních prvcích, instalaci a použití.

- Tato doporučení se vztahují na tento výrobek, nebo produktovou linii.
- Tento návod se musí řádně uschovat pro budoucí použití.
- Zabraňte dětem manipulovat s přístrojem.
- Při prodeji nebo přemístění je nutno se přesvědčit, že obsluha nebo odborný servis se seznámil s ovládáním a instalačními pokyny v přiloženém návodu.
- Výrobek smí obsluhovat pouze obsluha, která se seznámila s tímto návodem k použití.
- Nesmí být spuštěn bez dozoru.
- Doporučuje se kontrola odborným servisem minimálně 2x ročně.
- Při eventuální opravě nebo výměně dílů musí být použity originální náhradní díly.
- Výrobek se nesmí čistit proudem vody nebo tlakovou sprchou.
- Při poruše nebo špatném chodu výrobku je nutné odpojit veškeré přívody (voda, elektřina, plyn) a zavolat autorizovaný servis.
- Výrobce se vzdává jakékoli zodpovědnosti při poruchách způsobenými chybnou instalací, nedodržením shora uvedených doporučení, jiným užíváním apod.
- Přístroj se smí používat pouze k účelu, ke kterému je určený, jiné použití je zakázané a může vést ke vzniku nebezpečí či úrazu
- Musí být zajištěno nej přísnější dodržování pravidel protipožární ochrany

UMÍSTĚNÍ

Ke správné činnosti a umístění spotřebiče je nutné dodržet následující směrnice dle norem TPG G 704 01, ČSN 127040 a ČSN 127010.

Rozbalte přístroj a zkontrolujte, zda se přístroj nepoškodil během přepravy. Umístěte přístroj na vodorovnou plochu (maximální nerovnost do 2°). Drobné nerovnosti lze vyrovnat regulovatelnými nožičkami.

Jestliže zařízení bude umístěno tak, že bude v kontaktu se stěnami nábytku, tyto musí odolávat teplotě až 60°C. Instalaci, seřízení, uvedení do provozu musí provést kvalifikovaná osoba, která má k takovýmto úkonům oprávnění a to dle platných norem.

Přístroj může být instalován samostatně nebo v sérii s přístroji naší výroby. Je nutno dodržovat minimální vzdálenost 10 cm od hořlavých materiálů. V tomto případě je nutné zabezpečit odpovídající úpravy, aby byla zabezpečena tepelná izolace hořlavých částí.

Spotřebič se musí instalovat pouze na nehořlavém povrchu nebo u nehořlavé stěny.

INSTALACE

Důležité:

Výrobce neposkytuje žádnou záruku na závady, vzniklé v důsledku nesprávného používání, nedodržování instrukcí obsažených v příloženém návodu k použití a špatným zacházením se spotřebiči.

Instalaci, úpravy a opravy spotřebičů pro velkokuchyně, tak jako i jejich demontáž z důvodu možného poškození přívodu plynu, mohou být prováděny pouze na základě smlouvy o údržbě, tato smlouva může být uzavřena s autorizovaným prodejcem, přičemž musí být dodržovány technické předpisy a normy a předpisy týkající se instalace, elektrického přívodu, plynové přípojky a bezpečnosti práce.

Technické instrukce pro instalaci a seřízení, k použití POUZE pro specializované techniky.

Instrukce, které následují, se obrací k technikovi kvalifi kovanému pro instalaci, aby provedl všechny operace způsobem co nejkorektnějším a podle platných norem.

Jakákoli činnost spojená s regulací apod. musí být vykonána pouze se zařízením odpojeným ze sítě. Je - li nutno udržovat spotřebič pod napětím je nutno dbát nejvyšší opatrnosti.

Typ spotřebiče pro provedení odtahu je deklarován na typovém štítku, jedná se o spotřebiče typu A1.

PODMÍNKY INSTALACE

Indukční vařič musí být vmontován do rovny plochy pomocí montážního rámu. Přívod a odvod vzduchu nesmí být zakryt. Plocha, do níž má být vařič vestaven, musí unést minimálně 100 kg. Zařízení k odpojení od sítě musí být lehce přístupné.

Instalační předpisy pro vestavný model

Je třeba dbát na dodržení následujících bodů:

- Přesvědčte se, že napětí v síti odpovídá údajům, uvedeným na typovém štítku spotřebiče.
- Instalace musí vyhovovat místním předpisům o elektrických instalacích v budovách. Je nutné řídit se platnými národními předpisy o elektrických zařízeních.
- Indukční vařič je vybaven přívodním kabelem, který může být připojen pomocí zástrčky do zásuvky.
- Pokud je použit bezpečnostní spínač, musí být kalibrován na zkrat alespoň $I_{\Delta n}=30\text{mA}$.
- Zabraňte blokování přívodu a odvodu vzduchu předměty (látka, zeď atd.)
- Zabraňte nasávání horkého vzduchu z okolí do indukčního vařiče (více spotřebičů vedle sebe, za sebou, v blízkosti grilu nebo trouby). Jinak musí být použit kanál pro přívod vzduchu.
- Vařič má filtr, který čistí nasávaný vzduch. Přesto je třeba zajistit, aby okolní vzduch, nasávaný do indukčního spotřebiče, nebyl znečištěn mastnými výpary, pocházejícími z pracovních činností na jiných zařízeních (fritéz, grilů atd.).
- Teplota nasávaného vzduchu musí být nižší než $+35^{\circ}\text{C}$.
- Obsluhující personál musí dbát na to, aby všechny instalační, údržbové a inspekční práce prováděl povoláný odborný personál.
- Nasávaný vzduch musí být sveden do kanálu a veden přes filtr, který je součástí dodávky, přímo na ventilátor. Průřez nasávacího otvoru musí být na jednu elektronickou jednotku alespoň 200 cm^2 .
- Nesmí se vytvořit žádná uzavřená cirkulace vzduchu, vzduch, který z vařiče vychází, nesmí být v žádném případě znovu nasávan, jinak se vařič stále více zahřívá.
- Vestavba musí být přezkoušena na spolehlivost v praxi. K tomu je třeba zjistit maximální teplotu chladiče. Měří se na základní desce chladiče pod indukční spirálou. Teplota nesmí při dlouhodobějším alespoň dvouhodinovém provozu a teplotě prostředí 20°C překročit 65°C .
- Přívodní kabel musí být odstíněný a na obou stranách čistě zkontaktovaný.
- Zařízení, sloužící k odpojení vařiče od sítě, by mělo být vypnuto a znovu zapnuto nejvýše 5 x za den.
- Před údržbou nebo výměnou dílů musí být spotřebič odpojen od zdroje elektrického proudu. Pokud se to provádí vytažením zástrčky ze zásuvky, musí na to být jasně upozorněno a k zásuvce musí být ze všech stran snadný přístup tak, aby obsluhující personál z každého místa, kam má přístup, mohl kontrolovat, že je zástrčka stále ještě vytažená. Pokud to kvůli konstrukci spotřebiče nebo kvůli způsobu instalace není možné, musí být odpojení zajištěno upevněním vytažené zástrčky tak, aby nemohla být omylem znovu zapojena.

Indukční vařiče jsou vybaveny kabelem a zástrčkou, které vyhovují národním předpisům.

Ujistěte se, že je zástrčka správně připojena ke kabelu:

Při připojování spotřebiče k síti je nutné dodržovat zákonné předpisy příslušné země!

Pozor

Nesprávné napětí může indukční vařič poškodit

Pozor

Elektrická připojení musí provádět odborník.

UVEDENÍ DO PORVOZU

Montáž

Indukční vařiče jsou vybaveny přívodním kabelem. Musí být připojeny k zásuvce nebo ke krabici ve zdi. Elektrické instalace musí provádět povolaná odborná firma a musí přitom být dodrženy specifické národní a místní předpisy. Firma, která provádí instalaci, je zodpovědná za správné zapojení a instalaci odpovídající bezpečnostním předpisům. Varovné a typové štítky musí být striktně respektovány.

RM GASTRO s.r.o., Jeneč
provoz
Veselí nad Lužnicí
Made in EU



Ujistěte se, že napětí v síti odpovídá napětí, uvedenému na typovém štítku spotřebiče.

Model	SPI- 708 ES		
ITEM	117261030		
Příkon_2	20 kW	230V~/50-60 Hz	
Sériové číslo:	16030002		



Při umístění nebo vestavbě vařiče v bezprostřední blízkosti zdi, přiček, kuchyňského nábytku, dekorativního obložení atd. se doporučuje, aby nebyly z hořlavých materiálů, jinak by musely být chráněny vrstvou vhodného nehořlavého tepelně izolujícího materiálu. Požární předpisy musí být pečlivě dodržovány!



Indukční vařič musí být vestavěn do čisté rovné plochy (stůl, linka apod.) v konečném umístění. Musí být vestavěn tak, aby s ním nebylo možné pohybovat. **„Podmínky instalace“** musí být dodrženy.

Odstraňte všechny předměty z topné zóny. Ujistěte se, že topná zóna není ani prasklá, ani rozbitá. Okamžitě přestaňte spotřebič uvádět do provozu, pokud je sklokeramická deska prasklá nebo rozbitá, ihned vypněte spotřebič a vytáhněte zástrčku ze zásuvky.

Než připojíte vařič k síti, otočte regulátorem výkonu do polohy vypnuto (0).

PROVOZNÍ ZKOUŠKA

Pozor

Horká pánev přenáší teplo na topnou zónu.
Abyste předešli poranění, nedotýkejte se topné zóny.

Použijte pánev, vhodnou pro indukci, s průměrem dna minimálně 12 cm.

K testu funkcí spotřebiče je třeba jej nejprve zapnout a pak postupovat, jak je popsáno.

Umístěte pánev doprostřed topné zóny a nalijte do ní trochu vody.

- **S LED** Otočte regulátorem výkonu na zapnuto (poloha mezi Min a Max). Zelená LED žárovka bliká (varný stupeň 10%-30%) nebo svítí (varný stupeň 30%-100%), voda se zahřívá.
- **S digitálním displejem** (1-9) Otočte regulátorem výkonu na zapnuto (poloha mezi Min a Max). Displej ukazuje zvolený výkon mezi (1-9).
- **S LED** Když sejmete pánev z topné zóny, musí zelená žárovka blikat (hledání nádoby).
- Postavte pánev zpátky na topnou zónu; žárovka se znovu rozsvítí a zahřívání znovu začne.
- Otočte regulátorem výkonu do polohy 0. Zahřívání se zastaví a žárovka zhasne.
- Svítící žárovka znamená, že se do pánve přenáší energie.
- **S digitálním displejem** (1-9) Když sejmete pánev z topné zóny, musí displej ukázat symbol hledání nádoby- viz **Chybová hlášení**.
- Postavte pánev zpátky na topnou zónu ; **displej** ukazuje znovu zvolený výkon a zahřívání znovu začne.
- Otočte regulátorem výkonu do polohy 0. Zahřívání se zastaví a displej se vypne.
- Číslo na displeji ukazuje, že se do pánve přenáší energie.

Pokud žárovka nebo digitální displej zůstanou zhasnuty nebo jen krátce bliknou, vyzkoušejte následující možnosti:

- Je spotřebič zapojen do sítě, nebo je zapnutý hlavní vypínač?
- Je regulátor výkonu nastaven do polohy zapnuto?
- Používáte pánev, vhodnou pro indukci (vyzkoušejte magnetem) s průměrem dna alespoň 12 cm ?
- Je pánev umístěna ve středu topné zóny (s výjimkou spotřebičů se souřadnicovými spirálami)?

Abyste zjistili, zda se materiál pánve hodí na indukční spotřebiče, použijte magnet, který musí zůstat přichycen ke dnu pánve. Pokud tomu tak není, vaše pánev není vhodná na indukční spotřebiče.

Použijte pánev, vhodnou na indukci.

Pokud spotřebič i nadále nefunguje, podívejte se na bod Závady/odstranění závad.

POŽADAVKY NA PROSTŘEDÍ

- **max. teplota okolí**

skladování >-20°C bis +70°C

provoz

>+5°C bis +35°C

- **max. relativní vzdušná vlhkost**

skladování > 10% bis 90%

provoz

> 30% bis 90%

ČSN 061008 ČL. 21

- obsluhu spotřebiče smí provádět pouze dospělé osoby
- spotřebič smí být bezpečně používán v souladu s normami:
ČSN 33 2000-4-482: Ochrana proti požáru v prostorách se zvláštním rizikem nebo nebezpečím
ČSN 33 2000-4-42: Ochrana před účinky tepla
- spotřebič je nutné umístit tak, aby stál nebo visel pevně na nehořlavém podkladu

Na spotřebič a do vzdálenosti menší než bezpečná vzdálenost od něho nesmějí být kladeny předměty z hořlavých hmot (nejmenší vzdálenost spotřebiče od hořlavých hmot je 10 cm).

Tabulka: stupeň hořlavosti stavební hmoty zařazené do st. hořlavosti (ČSN 730823) hmot a výrobků

C2 - středně hořlavé	uretanové desky, sádky, korkové desky, plyn, podlahoviny
C3 - lehce hořlavé	dřevovláknité desky, polystyrén, polyureten, PVC

- informace o stupni hořlavosti běžných stavebních hmot uvádí tabulka níže. Spotřebiče musí být instalovány bezpečným způsobem. Při instalaci musí být dále respektovány příslušné projektové, bezpečnostní a hygienické předpisy dle:
- ČSN 06 1008 požární bezpečnost lokálních spotřebičů a zdrojů tepla
- ČSN 33 2000-4-482 ochrana proti požáru v prostorách se zvláštním rizikem nebo nebezpečím
- ČSN 33 2000-4-42 ochrana před účinky tepla

PŘIPOJENÍ ELEKTRICKÉHO KABELU DO SÍTĚ

Instalace elektrického přívodu - tento přívod musí být samostatně jištěn. A to odpovídajícím jističem jmenovitého proudu v závislosti na příkonu instalovaného přístroje. Příkon přístroje zkontrolujte na výrobním štítku na zadním panelu (či boku) přístroje.

Připojený zemnicí vodič musí být delší než ostatní vodiče. Přístroj připojte přímo na síť, je nezbytné vložit mezi spotřebič a síť vypínač s minimální vzdáleností 3 mm mezi jednotlivými kontakty, který odpovídá platným normám a zatížením. Přívod uzemnění (žlutozelený) nesmí tímto spínačem být přerušen. Přístroj určený pro připojení do zásuvky, připojte do sítě pokud má zásuvka odpovídající jištění.

V každém případě přívodní kabel musí být umístěn tak, že v žádném bodě nedosáhne teploty o 50 stupňů vyšší než prostředí. Než bude spotřebič připojen do sítě, je nutné se nejprve ujistit, že:

- přívodní jistič a vnitřní rozvod snesou proudové zatížení spotřebiče (viz štítek matrice)
- rozvod je vybaven účinným uzeměním podle norem (ČSN) a podmínek daných zákonem
- zásuvka nebo vypínač v přívodu jsou dobře přístupné od spotřebiče
- elektrický přívod do zařízení musí být z olejovzdorného materiálu

Vzdáváme se jakékoli zodpovědnosti v případě, že tyto normy nebudou respektovány a v případě porušení výše uvedených zásad.

Před prvním použitím musíte přístroj vyčistit viz. kapitola „čištění a údržba“. Spotřebič musí být uzemněn pomocí šroubu se značkou uzemnění.



- Tato etiketa označuje uzemňovací bod zařízení

OBSLUHA

Proces vaření

Vařič je ihned schopen provozu. Svítící nebo blikající žárovka ~~na displeji~~ ukazuje, že do pánve je vedena energie. Výkon volíme otáčením knoflíku regulátoru výkonu. Indukční přenos výkonu závisí na poloze potenciometru.

Poloha MIN > **minimální výkon**
Poloha MAX > **maximální výkon**

Kvůli následujícím okolnostem musí být kuchař pozornější, než při vaření na běžných systémech. Jakmile změním otočením regulačního knoflíku výkon, vařič se pokrm ihned reaguje. Prázdné pánve a hrnce se velice rychle rozpálí. NIKDY nestavte na sklokeramickou plochu nádoby bez obsahu, nejprve do nich dejte tekutinu nebo tuk a pak teprve začněte s vařením. Nastavte výkon otočným knoflíkem tak, aby přesně odpovídal požadovanému způsobu vaření. Nádoba musí stát vždy ve středu topné zóny (kromě spotřebičů s plošným čidlem), jinak se bude dno nádoby zahřívat nepravidelně. Při zahřívání oleje nebo tuku průběžně kontrolujte nádobu, abyste zabránili přehřátí nebo vznícení oleje nebo tuku.

Pozor! Nádobí, v němž vaříte, smí stát na plotýnce pouze tak, že jeho spodek nepřesahuje její obvod. Na ovládací pole, displej nebo rám se nesmějí stavět žádné horké hrnce nebo pánve. Nedodržení tohoto pokynu má za následek poškození nádobí i spotřebiče. **K čemu dojde:** nádobí se roztaví, popřípadě staví dohromady, materiál ve fugách mezi spotřebičem a deskou se horkem z hrnců vypálí, tím se zničí těsnění a začne vnikat vlhkost a mastnota, což může vést k poruše spotřebiče. Poruchy displejů a ovládacího pole.

Komfort

Indukční vařič přenáší energii pouze tehdy, nachází-li se na topné zóně nějaká nádoba. Poloha regulátoru výkonu na to nemá žádný vliv. Když sejmete pánev z topné zóny, je ihned přenos energie přerušeno. Když postavíte pánev zpátky, přenáší se do ní znovu zvolený výkon. Pokud vařič vypneme otočným knoflíkem, vaření zastavíme. Vařič však zůstává připraven k použití (Standby), přívod proudu přerušíme teprve vytažením zástrčky ze zásuvky nebo vypnutím hlavního vypínače.

Softwarová verze

Nastartování generátoru

sekundy	výklad
1	8. (test segmentu)
2	F nebo P (provozní Frekvence nebo Pulsy)
3	2. (Softwarová verze první číslo)
4	1 (Softwarová verze druhé číslo)
5	9 (Softwarová verze třetí číslo)

Normální provoz

V režimu standby (nastavení potenciometru vypnuto) bliká každé dvě 2 vteřiny desetinná tečka. Při zapnutém nastavení potenciometru se nejprve vyhledává hrnec: znak U a desetinná tečka znamená hledání hrnce (po 1 minutě přechází do úsporného režimu a vysílá vyhledávací impulsy každých 5 vteřin).

Když je hrnec rozpoznán, objeví se na displeji nastavení výkonu 1 - 9.

Význam desetinné tečky:

svítí = provoz
1 s puls = omezení kvůli příliš vysoké teplotě chladiče
½ s puls = omezení kvůli příliš vysoké teplotě spirál /nádoby
¼ s puls = omezení výkonu
1/10 s puls = omezení výkonu při jiném než optimálním materiálu pánve

NÁVOD K POUŽITÍ

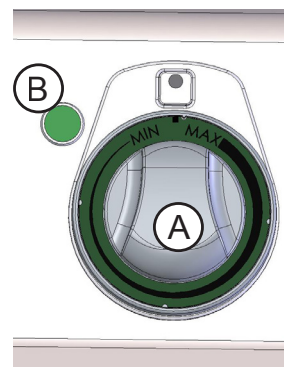
ZAPNUTÍ PLOTÝNEK

- Před zapojením do el. sítě je nutné všechny regulační knoflíky umístit do polohy „0“.
- První spuštění zařízení je nutné provádět v dobře odvětrávané místnosti kvůli „vypalování“ ploten, které trvá cca 30 min. Po uplynutí doby minimálně 30 minut je zařízení připraveno k provozu.

Na začátku provozu spusťte hlavní vypínač zařízení umístěný mimo zařízení. Během provozu ovládejte zařízení pouze pomocí regulačních knoflíků. Při delší odstavce, vypněte hlavní vypínač zařízení.

Regulačním knoflíkem (A) požadované plotýnky nastavíme požadovaný výkon. Rozsvítí se kontrolka (B), která signalizuje, že plotýnka je pod elektrickým proudem. Plotýnku vypneme otočením regulačního knoflíku do polohy „0“.

Kontrolka při zapnutém stavu bliká, tím signalizuje zapnutí plotny. Kontrolka svítí stále po umístění varné nádoby na plotnu. Trvale svítící kontrolka signalizuje přenášení energie do varné nádoby.



POZOR !

- VARNÉ NÁDOBY VŽDY UMISŤUJTE NA STŘED PLOTNY
- VARNÉ NÁDOBY NESMÍ PŘESAHOVAT OBRYS SKLENĚNÉ PRACOVNÍ PLOCHY
- VARNÉ ZAŘÍZENÍ FUNGUJE POUZE S NÁDOBÍM URČENÝM K INDUKČNÍMU OHŘEVU
- NIKDY NEPOKLÁDEJTE NA PLOTNU PRÁZDNÉ VARNÉ NÁDOBY
- ZAŘÍZENÍ REAGUJE POUZE NA NÁDOBY S MINIMÁLNÍM PRŮMĚREM DNA 12 CM.


UKONČENÍ PROVOZU


Pokud indukční vařič nepoužíváte, ujistěte se, že hlavní vypínač případně regulátor výkonu nebyly omylem zapnuty. Když vařič déle nepoužíváte (více dní), vytáhněte zástrčku ze zásuvky a vypněte hlavní vypínač. Zabraňte vniknutí jakékoli tekutiny do vařiče, nečistěte jej tekutinami.

ČIŠTENÍ A ÚDRŽBA

Přístroj se musí alespoň 2 x ročně překontrolovat odborným servisem. Veškeré zásahy do přístroje může provádět pouze kvalifikovaná osoba, která má k takovýmto úkonům oprávnění.

POZOR!

 Zařízení se nesmí čistit přímou nebo tlakovou vodou. Čistěte zařízení denně. Denní údržba prodlužuje životnost a účinnost zařízení. Před započítím čištění se přesvědčte, jestli jste odpojili zařízení od elektrického proudu. Vždy vypněte hlavní přívod k zařízení. Nerezové části omyjte vlhkým hadrem se saponátem bez hrubých částic a vytřete do sucha. Nepoužívejte abrasivní nebo korosivní čisticí prostředky.

 **Pozor!** Než-li začnete přístroj používat, je nutné z celého povrchu sejmout ochranné fólie, a pak jej dobře omýt vodou se saponátem na nádobí, a poté otřít vlhkým hadrem.

-Mastnotu a skvrny od vodního kamene umyjte doporučenými prostředky jako: Polychrom, Slgolin chrom, Inox crème, Vif Super-Reiniger, Supernettoyant.

-Mechanicky doporučujeme čistit žiletkou nebo neabrasivní houbou.

-Sklokeramický povrch nesmí být čištěn prostředky obsahující abrazivní částice, drátěnkami nebo houbami s drsným brusným povrchem, ty mohou poškodit varnou plochu.

Během čištění nesmí do zařízení vniknout tekutiny.

Jak postupovat v případě poruchy?

Vypněte elektrický (plynový) přívod a zavolejte servisní organizaci prodejce.

Záruka se navztahuje na všechny spotřební díly podléhající běžnému opotřebení (gumová těsnění, žárovky, skleněné a plastové díly atd.). Záruka se též nevztahuje na zařízení pokud není provedena instalace v souladu s návodem – oprávněným pracovníkem dle odpovídajících norem a pokud bylo se zařízením neodborně manipulováno (zásahy do vnitřního zařízení atd.) nebo bylo obsluhováno nezaškoleným personálem a v rozporu s návodem k použití, dále se záruka nevztahuje na poškození přírodními vlivy či jiným vnějším zásahem.

Přepravní obaly a zařízení po ukončení životnosti odevzdejte do sběru, dle předpisů o nakládání s odpadem a nebezpečným odpadem.

VAROVÁNÍ: během čištění nebo údržby a výměny dílů musí být spotřebiče odpojeni od sítě.

Indukční vaříč smí otevřít pouze povoláný školený servisní personál. Ukončete veškeré práce, pokud je sklokeramická plocha prasklá nebo rozbitá. Indukční vaříč musí být ihned vypnut a zástrčka musí být vytažena ze zásuvky. Nedotýkejte se žádných vnitřních částí spotřebiče.

Pozor

Indukční vaříč neotvírejte!
Nebezpečné napětí!

ODSTRANĚNÍ PORUCH

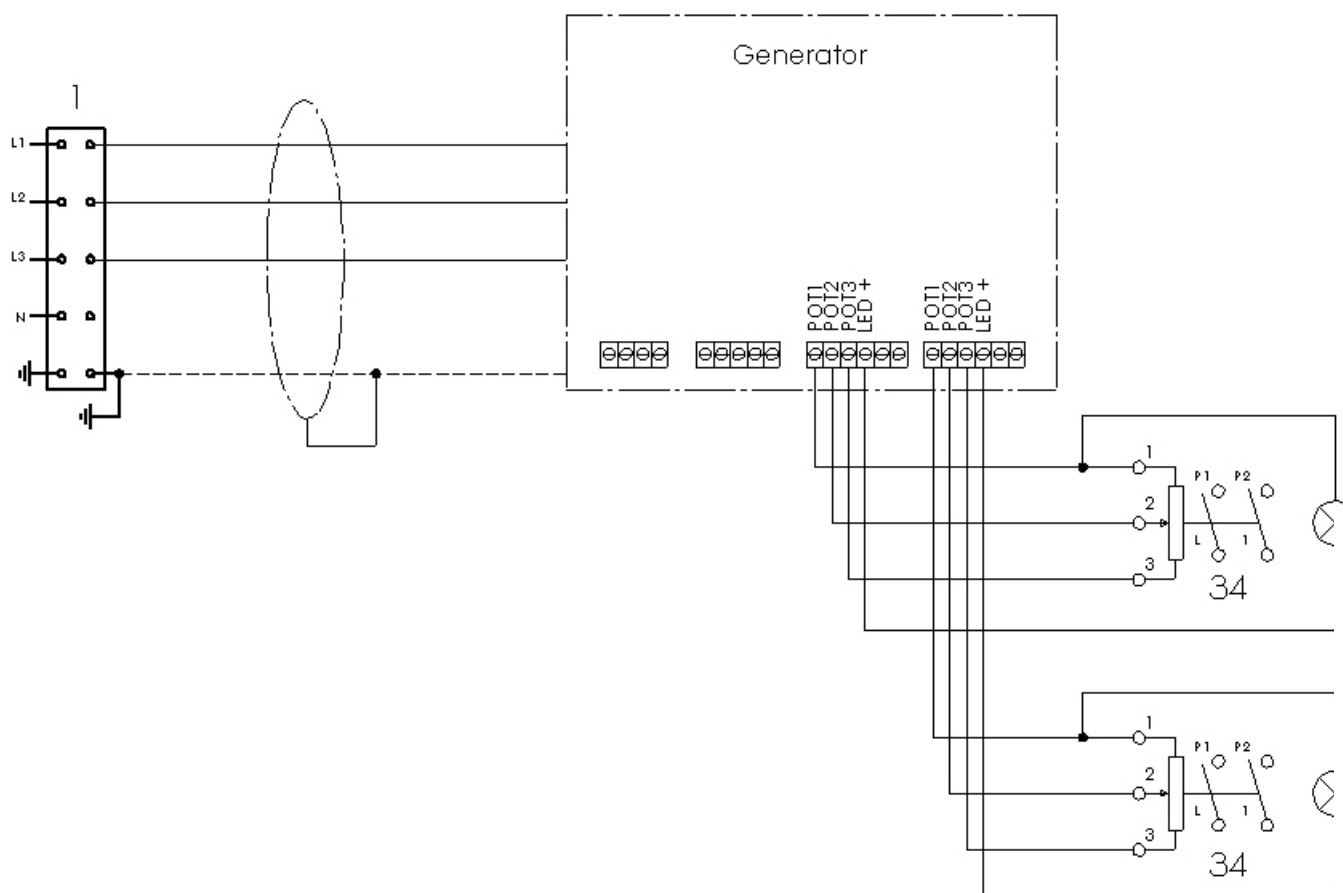
Porucha	Možná příčina	Opatření obsluhy nebo servisního personálu
Plotýnka se neohřívá Žárovka nesvíí	Žádný přívod proudu	Zkontrolujte, zda je spotřebič připojen k síti (zástrčka v zásuvce), případně jestli je zapnut hlavní vypínač.
	Regulátor výkonu v polze vypnuto	Otočte regulátorem výkonu do polohy zapnuto
	Hlavní vypínač je OFF	Zapněte hlavní vypínač do polohy
	Příliš malá pánev (Ø dna menší než 12cm)	Použijte vhodnou pánev.
	Pánev není uprostřed topné zóny (pánev nemůže být rozpoznána)	Posuňte pánev do středu topné zóny
	Nevhodná pánev	Zvolte pánev vhodnou pro indukci *1
Indukční vařič porouchaný	Kontaktujte vašeho dodavatele kvůli opravářskému servisu. Vytáhněte zástrčku ze zásuvky.	
Nedostatečný tepelný výkon. Žárovka svítí	Použitá pánev není ideální	Zvolte pánev vhodnou pro indukci. Srovnajte výsledky s `vaší` pánví.
	Chladicí systém je něčím blokován	Zajistěte, aby chladicí systém nebyl něčím blokován.
	Vzduchový filtr je zanesen.	Vyčistěte nebo vyměňte filtr.
	Teplota prostředí je příliš vysoká (chladicí systém není schopen udržet plotýnky na normální provozní teplotě *2	Zajistěte, aby nebyl nasáván žádný horký vzduch. Snižte okolní teplotu. Teplota nesmí přesáhnout 40°C / 110 °F .
	Chybí jedna fáze	Přezkoušejte jištění
	Indukční vařič porouchaný	Kontaktujte vašeho dodavatele kvůli opravářskému servisu. Vytáhněte zástrčku ze zásuvky.
Žádná reakce na otáčení regulátorem výkonu	Regulátor výkonu porouchaný	Kontaktujte vašeho dodavatele kvůli opravářskému servisu. Vytáhněte zástrčku ze zásuvky.
Topení se během několika minut vypíná a zapíná. Ventilátor pracuje	Chladicí systém je blokován/porouchán Ventilátor znečištěn	Zajistěte, aby přívod a odvod vzduchu nebyl něčím blokován. Vyčistěte ventilátor
Topení se během několika minut vypíná a zapíná. Ventilátor nepracuje.	Porucha ventilátoru nebo kontroly ventilátoru	Kontaktujte vašeho dodavatele kvůli opravářskému servisu. Vytáhněte zástrčku ze zásuvky.
Topení se během několika minut vypíná a zapíná. (po delší nepřerušené době provozu)	Spirála přehřátá, Varná zóna příliš horká. Prázdna nádoba Přehřátý olej na pánvi	Vypněte vařič, sejměte nádobu a počkejte, dokud se topná zóna neochladí.
Malé kovové předměty (např. lžice, nože) se na topné zóně zahřívají	Špatně nastavené rozpoznávání nádob	Přezkoušejte řídicí desku (pouze servisní personál dodavatele)

*1) Abyste zjistili, zda se materiál pánve hodí na indukční spotřebiče, použijte magnet, který musí zůstat přichycen ke dnu pánve. Pokud tomu tak není, vaše pánev není vhodná na indukční spotřebiče. Zvolte pánev z materiálu, vhodného pro indukci.

*2) Větrání začíná pracovat, když teplota chladiče přesáhne 45°C. Při teplotách chladiče přes 70°C redukuje kontrolní mechanismus automaticky výkon tak, aby udržoval normální provozní podmínky plotýnky. Indukční vařič pracuje se sníženým maximálním výkonem normálně dále.
Pokud je poškozen přívodní kabel vařiče, musí jej vyměnit výrobce nebo jeho zákaznická služba, popřípadě jiná stejně kvalifikovaná osoba, aby se zabránilo nebezpečí úrazu.

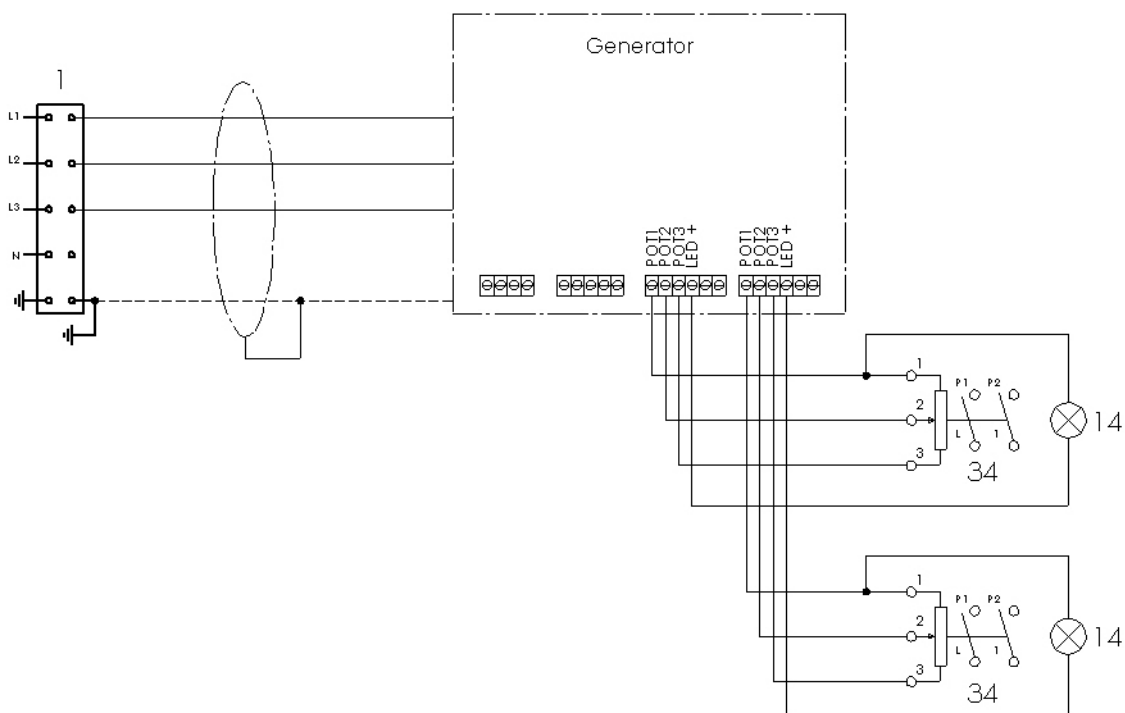
SCHÉMA ZAPOJENÍ

SPI-704 E WOK / SPI-740 E WOK

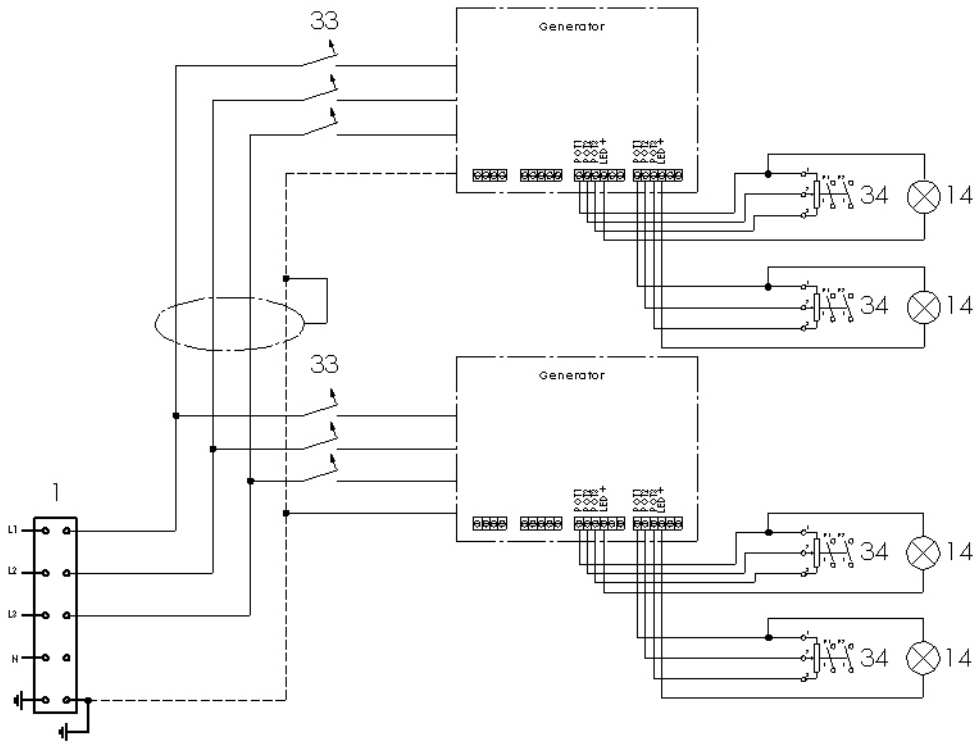


SPI-704 ES / SPI-740 ES

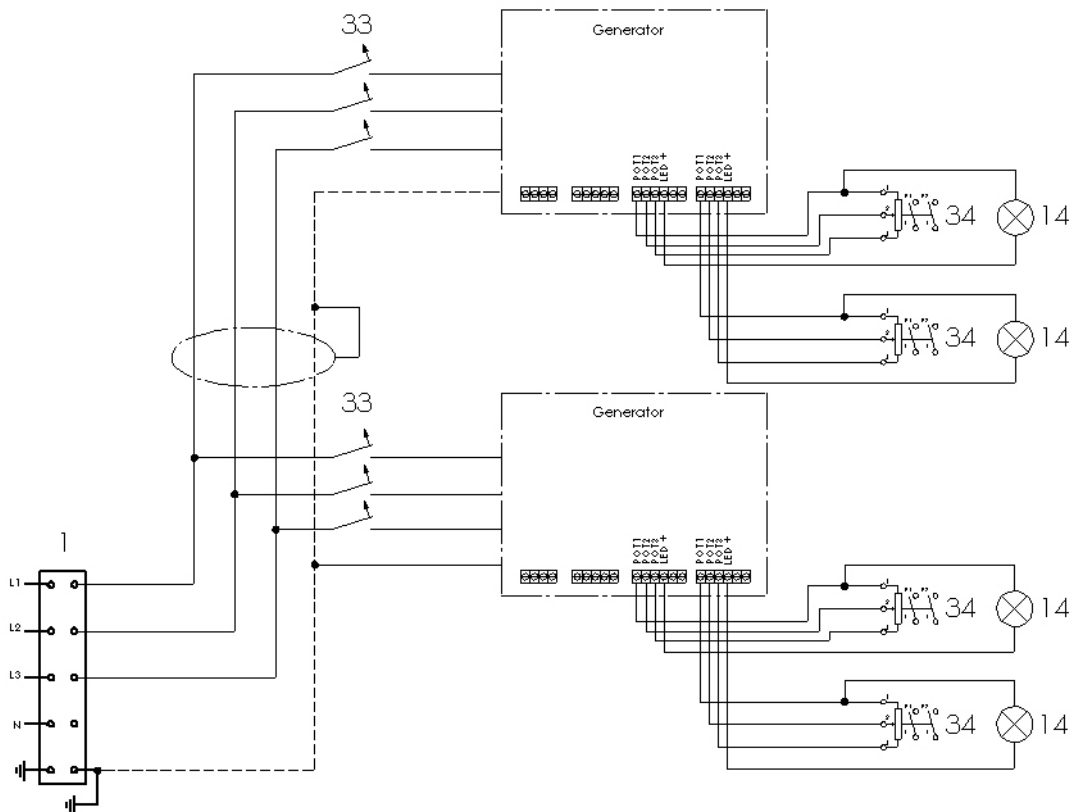
SPI-704 E / SPI-740 E



SPI-708 ES / SPI-780 ES

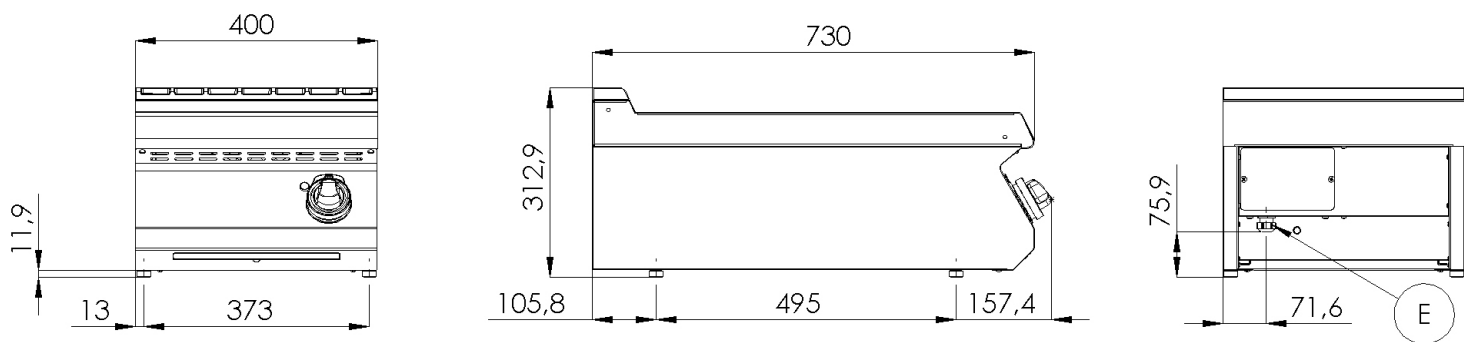


SPI-708 E / SPI-780 E

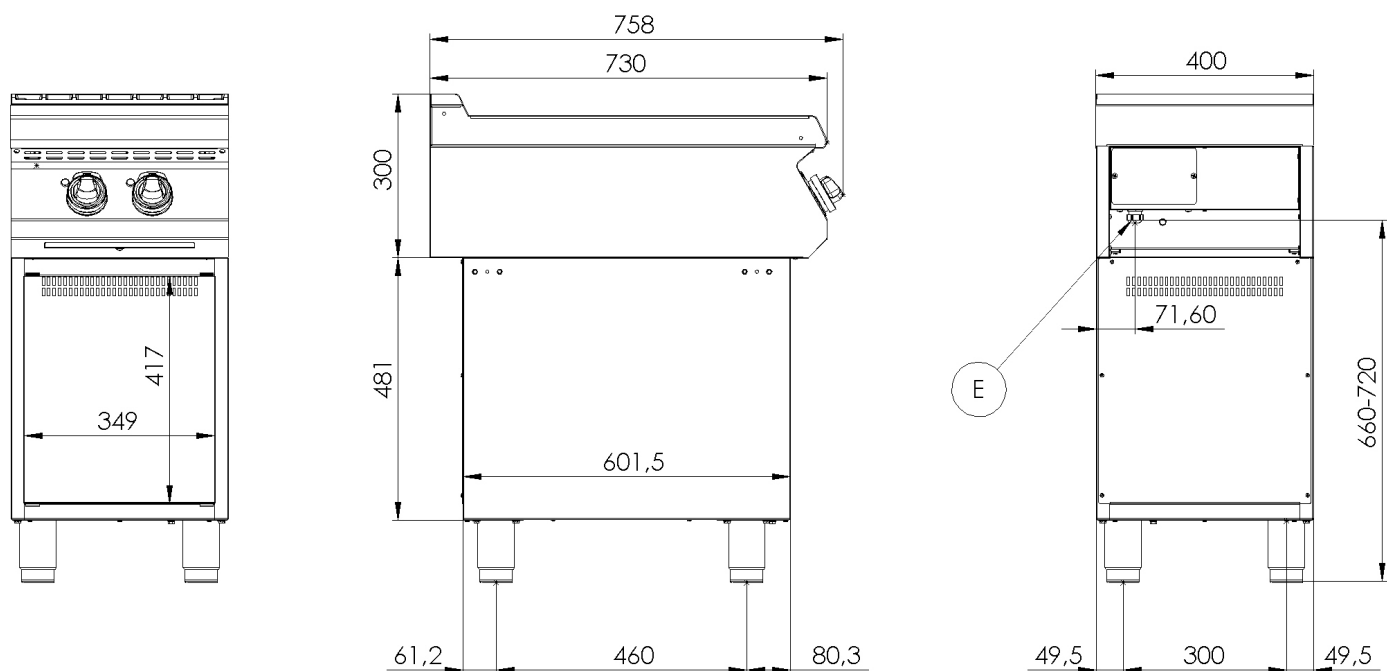


ROZMĚROVÉ OBRÁZKY

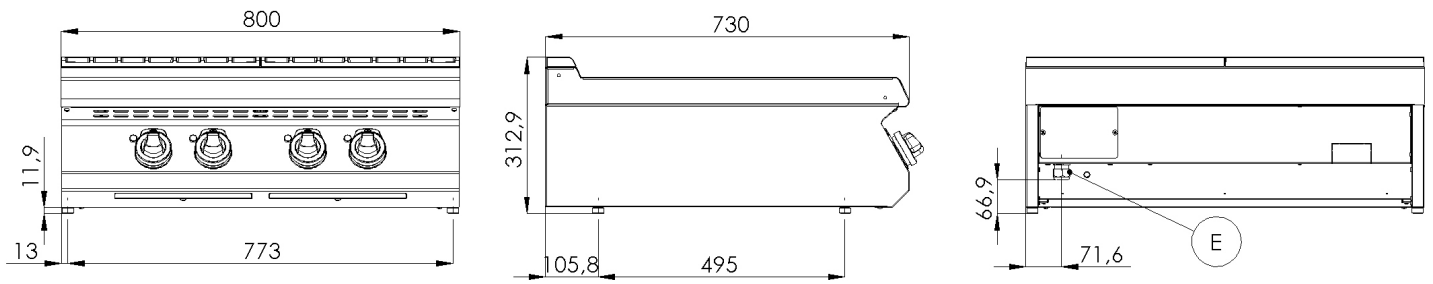
SPI-704 E / SPI-704 ES / SPI-704 E WOK



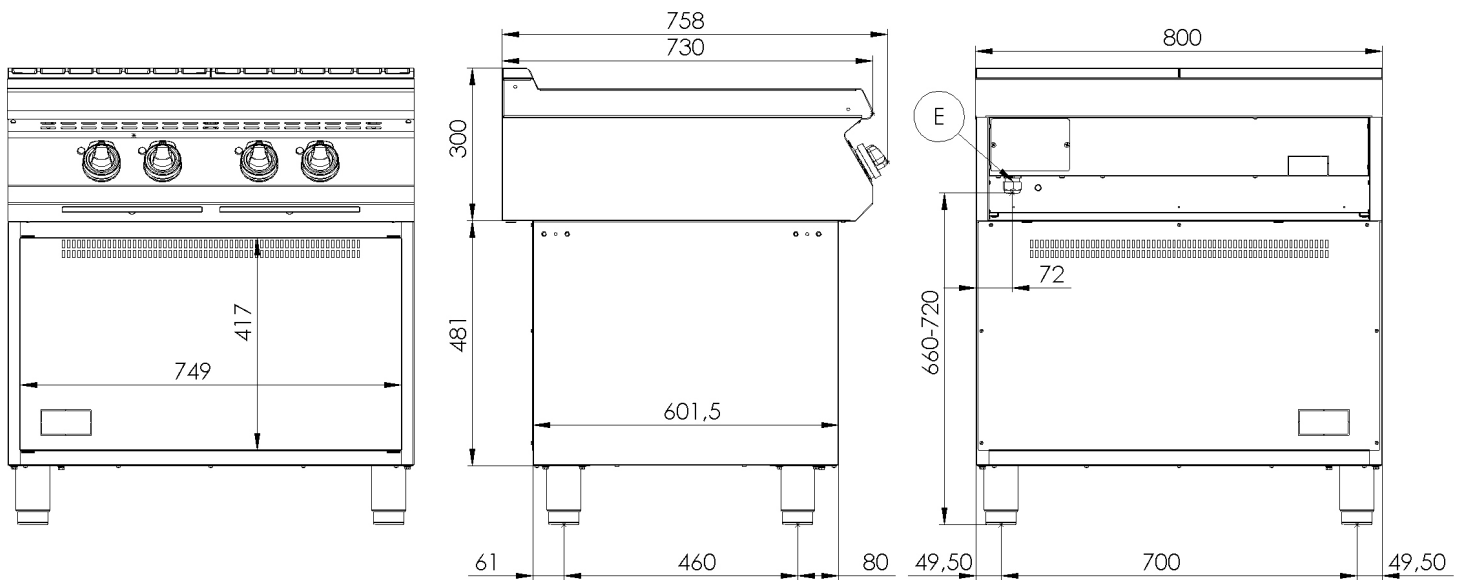
SPI-740 E / SPI-740 ES / SPI-740 E WOK



SPI-708 E / SPI-708 ES / SPI-708 E WOK



SPI-780 E / SPI-780 ES / SPI-780 E WOK



OŚWIADCZENIE ZGODNOŚCI Z NORMAMI

Producent oświadcza, że urządzenia są wykonane według polskich norm i przepisów Unii Europejskiej. Montaż musi być przeprowadzony zgodnie z obowiązującymi normami, zwłaszcza w kwestii odpowiedniego wietrzenia pomieszczeń i systemu odprowadzenia spalin.

Uwaga!

Producent nie odpowiada za szkody wynikłe pośrednio lub bezpośrednio przez: złą instalację, niewłaściwą obsługę lub przeróbki, niedostateczną konserwację lub inne przyczyny niezgodne z punktami warunków sprzedaży. Urządzenie to przeznaczone jest do profesjonalnego użytkowania i musi być obsługiwane osobami o odpowiedniej kwalifikacji. Części, które były po nastawieniu zabezpieczone przez producenta lub pracownika serwisu nie mogą być zmieniane.

DANE TECHNICZNE

Tabliczka znamionowa znajduje się na tylnej części obudowy urządzenia. Przed instalacją zaleca się zapoznanie z instrukcją obsługi i wszystkimi niżej umieszczonymi informacjami.

MODEL	MOC (kW)	NAPIĘCIE (V / HZ)	WYMIARY (cm)	WAGA (kg)
SP-704 E	2 x 2,6	400/3N/50	40x730x30 v	21,7
SP-740 E	2 x 2,6	400/3N/50	40x730x90 v	31,8
SP-708 E	4 x 2,6	400/3N/50	80x730x30 v	39
SP-780 E	4 x 2,6	400/3N/50	80x730x90 v	54,1

KONTROLA OPAKOWANIA I URZĄDZENIA

Urządzenie opuszcza zakłady odpowiednio zapakowane, właściwie oznakowane ietykietowane. Posiada również instrukcję obsługi. W przypadku, kiedy opakowanie nosioznaki niewłaściwego traktowania lub uszkodzenia, należy bezzwłocznie zgłosić ten fakt na piśmie u przewoźnika i podpisać protokół szkody.

Ważne

Niniejsza instrukcja powinna być przeczytana z uwagą, ponieważ zawiera ważne informacje bezpieczeństwa, montażu oraz obsługi.

- należy uważnie zapoznać się z niniejszą instrukcją obsługi, ponieważ zawiera ona ważne informacje dotyczące elementów bezpieczeństwa, montażu i użytkowania
- podane zalecenia odnoszą się do opisanego produktu
- niniejszy produkt jest zgodny z obowiązującymi normami
- instrukcję należy zachować do przyszłego użytku
- produkt powinien znajdować się poza zasięgiem dzieci
- w razie sprzedaży lub przeniesienia produktu w inne miejsce, należy upewnić się, że personel obsługi oraz serwisanci zapoznali się z zaleceniami dotyczącymi obsługi i instalacji podanymi w załączonej instrukcji
- urządzenie mogą obsługiwać tylko upoważnione do tego osoby
- nie należy pozostawiać włączonego urządzenia bez nadzoru
- zalecamy, aby produkt był sprawdzany przez profesjonalny serwis przynajmniej raz w roku
- w razie napraw, należy używać wyłącznie oryginalnych części zamiennych
- produktu nie należy czyścić strumieniami wody lub ciśnieniowo
- w razie uszkodzenia lub awarii, należy odłączyć wszystkie przewody zasilające (wodne, gazowe, elektryczne) i wezwać fachowy serwis
- producent nie bierze odpowiedzialności za szkody powstałe z powodu niewłaściwego montażu, nieprzestrzegania powyższych zaleceń, użytkowania niezgodnego z przeznaczeniem, itp.

INFORMACJA O INSTALACJI, UMIEJSCOWIENIE

Do regulacji i instalacji urządzenia jest konieczne, by pomieszczenie - kuchnia - było odpowiednio wietrzane (wg istniejących norm). Jeżeli urządzenie będzie umieszczone tak, że będzie stykać się ze ścianą pomieszczenia (kuchni), musi być ściana odporna na temperaturę powyżej 60°C.

Ważne jest by po odpakowaniu urządzenia, skontrolować czy urządzenie nie zostało uszkodzone w czasie transportu. Urządzenie umieścić na poziomej powierzchni (z max nierównościami do 2°). Drobne nierówności można wyrównać za pomocą nóżek.

Urządzenie może być instalowane oddzielnie lub w serii z innymi urządzeniami naszej produkcji. Jest ważne utrzymać odległość 10 cm od materiałów łatwopalnych. W takim przypadku ważne jest dodatkowe zabezpieczenie materiałami izolującymi.

Ważne

Producent nie odpowiada za usterki, które powstały na skutek nieodpowiedniej eksploatacji urządzenia wbrew instrukcji obsługi.

Poniższe instrukcje przeznaczone są dla wykwalif kowanego pracownika autoryzowanego serwisu, aby przeprowadził instalację w poprawny sposób, zgodnie z obowiązującymi normami.

Jakakolwiek regulacja powinna być przeprowadzona przy urządzeniu odłączonym od sieci. Jeśli jednak zaistnieje konieczność regulacji w trakcie pracy urządzenia, należy zachować szczególną ostrożność.

INSTALACJA

Instalacja, naprawy i ustawienia urządzeń do kuchni profesjonalnych i demontaż mogą być przeprowadzane tylko na podstawie umowy o utrzymywaniu. Taka umowa może być podpisana ze sprzedawcą urządzenia. Muszą być zachowane wszystkie normy i przepisy dotyczące instalacji i bezpieczeństwa pracy.

Wentylacja pomieszczenia musi być odpowiednio zaprojektowana, wg. istniejących przepisów i norm. Urządzenie może być zainstalowane samodzielnie lub w serii z innymi naszymi urządzeniami. Od ewentualnej ściany z łatwopalnego materiału musi być dotrzymany odstęp ponad 10cm.

PODŁĄCZENIE PRZEWODU ELEKTRYCZNEGO DO SIECI

Przewód elektryczny powinien posiadać oddzielny bezpiecznik, odpowiadający mocy instalowanego pieca. Moc urządzenia należy skontrolować na tabliczce znamionowej umieszczonej na bocznej ścianie urządzenia.

Przewód uziemiający musi być dłuższy od pozostałych przewodów. Urządzenie należy podłączyć bezpośrednio do sieci. Między urządzeniem a siecią należy zamontować wyłącznik zabezpieczający zgodny z normami. Przewód uziemiający (żółto-zielony) nie może być podłączony do tego wyłącznika.

Przewód elektr. powinien być umieszczony tak, aby w żadnym punkcie nie osiągnął temp. o 50° wyższej od otoczenia. Przed podłączeniem do sieci należy sprawdzić czy:

- bezpiecznik wewn. oraz instalacja są odpowiednie do obciążenia urządz.(patrz tabl. znam.)
- instalacja posiada uziemienie zgodne z normami
- wył. zabezp. jest łatwo dostępny

Producent nie ponosi odpowiedzialności w przypadku nie zachowania odpowiednich norm lub naruszenia w / w zasad.

Przed użyciem, urządzenie należy wyczyścić (patrz rozdz. czyszczenie i konserwacja). Urządzenie musi być uziemione za pomocą śruby z oznaczeniem uziemienia.

INSTRUKCJA OBSŁUGI

Ważne!

Przed pierwszym uruchomieniem urządzenia należy odkleić folię ochronną oraz przemyć płytę niewielką ilością wody z płynem do mycia naczyń. Ponadto, pierwsze uruchomienie płyty wiąże się z jej wypaleniem, co trwa ok 30 min. W tym czasie z urządzenia może wydobywać się nieprzyjemny zapach.

- Pokrętle regulatora temperatury A nastawiamy żadaną temperaturę 1-6.
- Kontrolka pomarańczowa B świeci gdy urządzenie jest włączone do sieci elektrycznej.
- Płytę wyłączamy ustawiając regulator temperatury A w położenie „0”.



CZYSZCZENIE I KONSERWACJA

Zaleca się kontrolę urządzenia przez profesjonalny serwis 2 razy w roku. Wszystkie interwencje w urządzeniu może przeprowadzać tylko przeszkolona osoba, która ma wymagane do tego uprawnienia.

Uwaga! Przed rozpoczęciem używania urządzenia należy ściągnąć z całej powierzchni folię ochronną oraz przemyć urządzenie wodą z płynem do naczyń, a następnie przetrzeć wilgotną szmatką.

- Czyszczenie przede wszystkim powierzchni, która jest w kontakcie z żywnością musimy przeprowadzać codziennie i bardzo dokładnie.
- Części nierdzewnych nie wolno czyścić pastami gruboziarnistymi lub środkami agresywnymi.
- Do czyszczenia nie używać papierów ściernych.
- W razie silnego zabrudzenia powierzchni dopuszczalne jest użycie gąbki z utwardzoną powierzchnią.
- Urządzenie czyścić wyłącznie zimne - w przeciwnym wypadku grozi to oparzeniem.
- W czasie dłuższej przerwy w eksploatacji urządzenia należy je zakonserwować olejem jadalnym i wyłączyć zasilanie elektryczne.
- Urządzenia nie należy czyścić wodą pod ciśnieniem (z węża).

Czyszczenie i konserwacja płyty stalowej:

- rozgrzać
- wyłączyć
- oczyścić metalową szpachelką
- nanieść wodę z odpowiednim środkiem chemicznym (np. RM Grill) i wytrzeć resztki brudu i osadów
- nanieść czystą wodę (odpowiedni jest roztwór z octem lub sokiem z cytryny)
- zebrać wodę i osuszyć powierzchnię szmatką
- pozostawić, aby resztkę wilgoci wyparowała z płyty (dobrze jeśli będzie jeszcze ciepła)
- posmarować płytę grilla olejem roślinnym

Czyszczenie i konserwacja płyty chromowanej:

- rozgrzać
- wyłączyć
- oczyścić szpachelką z tworzywa
- nanieść wodę z detergentem i wyczyścić gąbką
- nanieść czystą wodę
- zebrać wodę i osuszyć powierzchnię szmatką
- pozostawić, aby resztkę wilgoci wyparowała z płyty (dobrze jeśli będzie jeszcze ciepła)



W razie awarii:

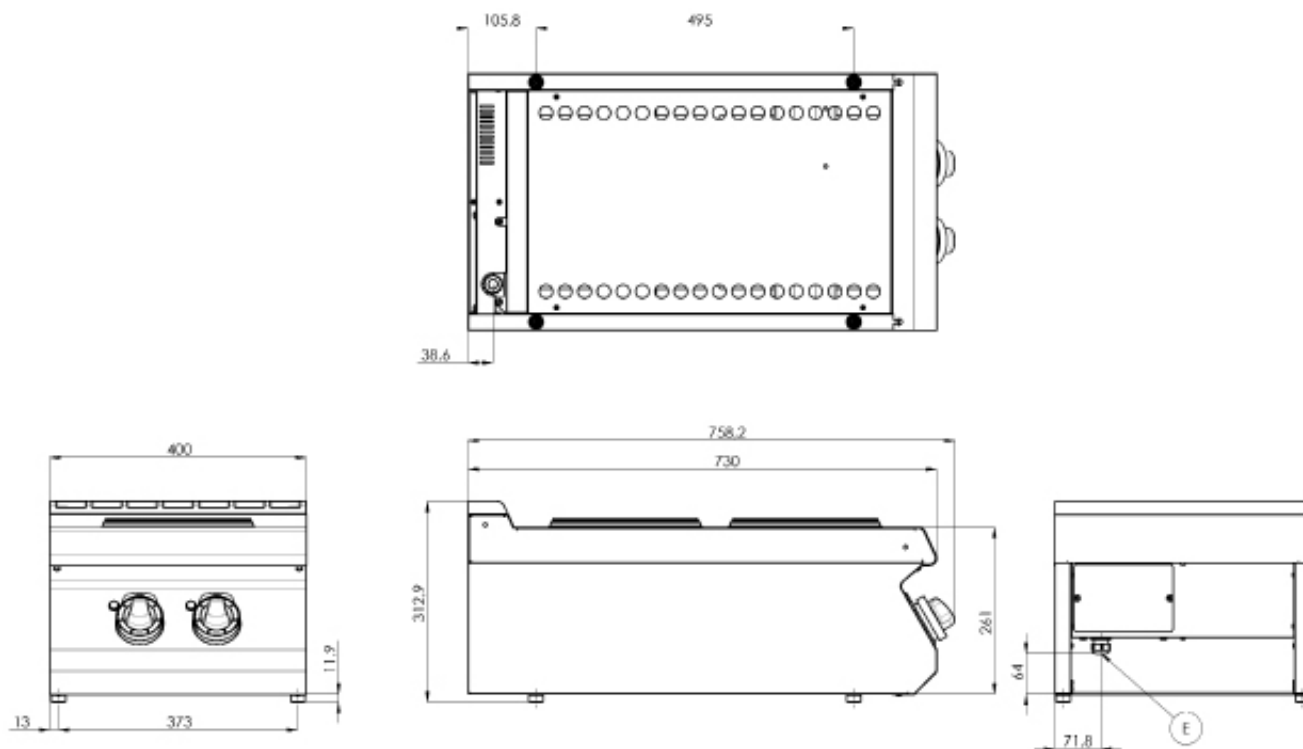
Odłączyć zasilanie elektryczne. Wezwać autoryzowany serwis.

GWARANCJA

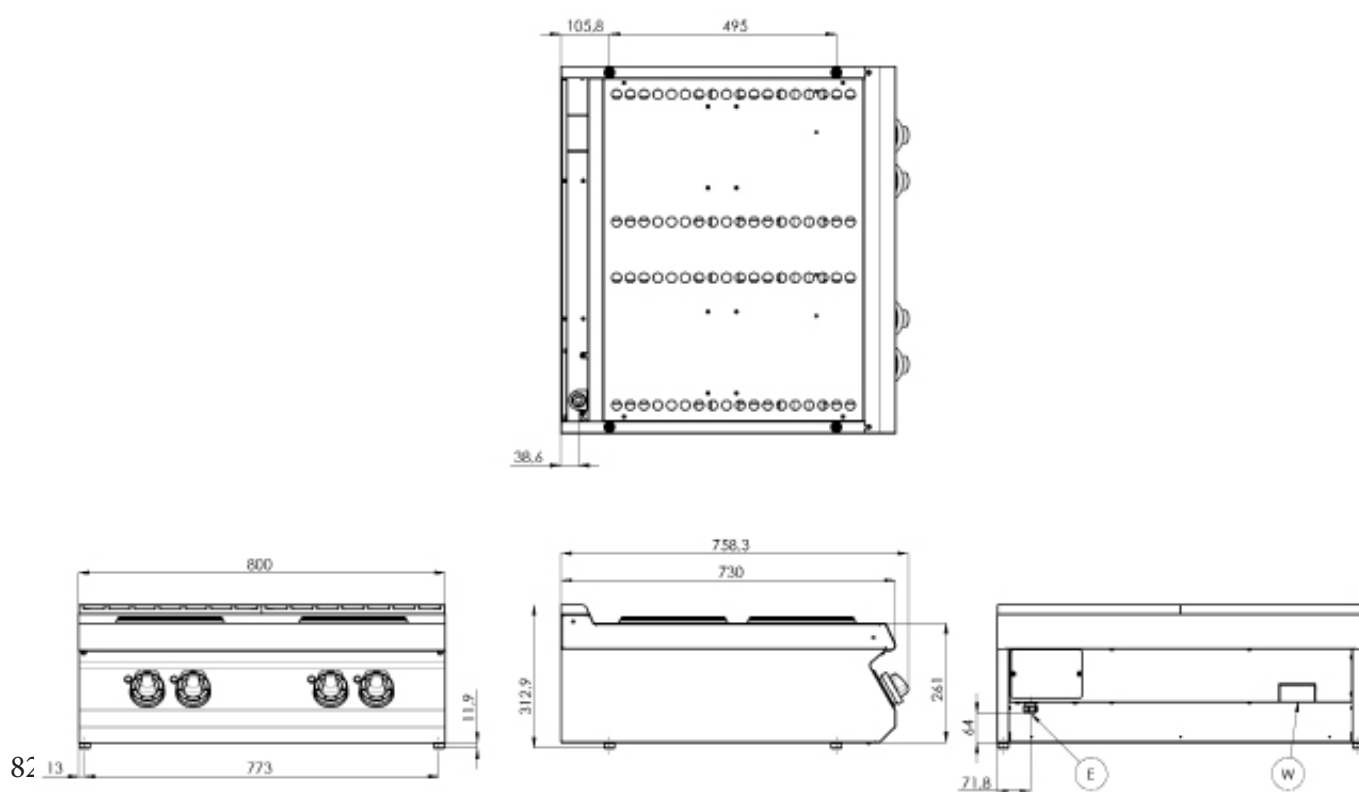
Gwarancja nie obejmuje żadnych części, które podlegają naturalnemu zużyciu (uszczelki, żarówki, części plastikowe i szklane itp.) Gwarancja nie obejmuje również urządzenia jeśli podłączone było nie zgodnie z instrukcją lub przez osoby nie posiadające odpowiednich uprawnień. Gwarancja nie obejmuje uszkodzeń spowodowanych warunkami atmosferycznymi lub przez osoby trzecie.

ROZMĚROVÝ NÁČRTEK S PŘÍPOJNÝMI BODY RYSUNEK WYMIAROWY

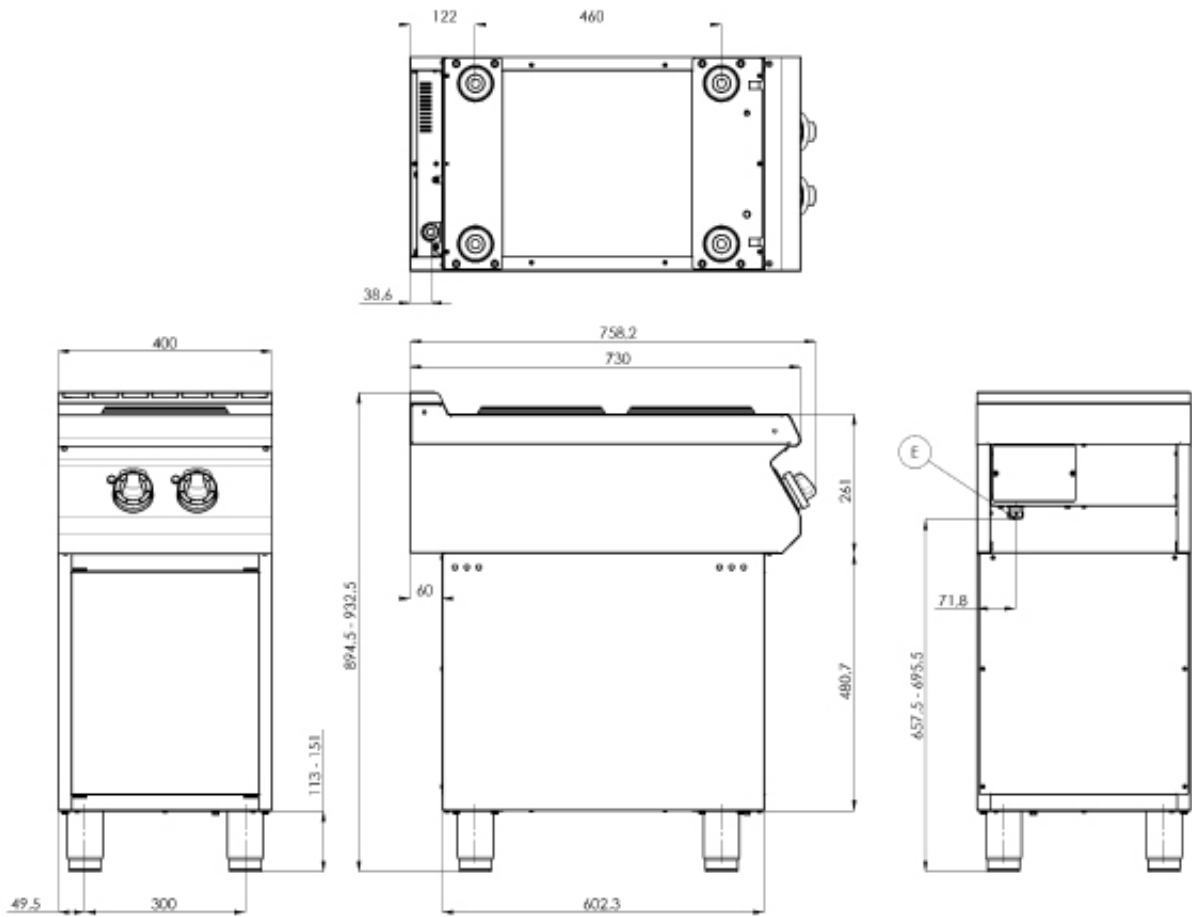
SP-704 E



SP-708 E



SP-740 E



SP-780 E

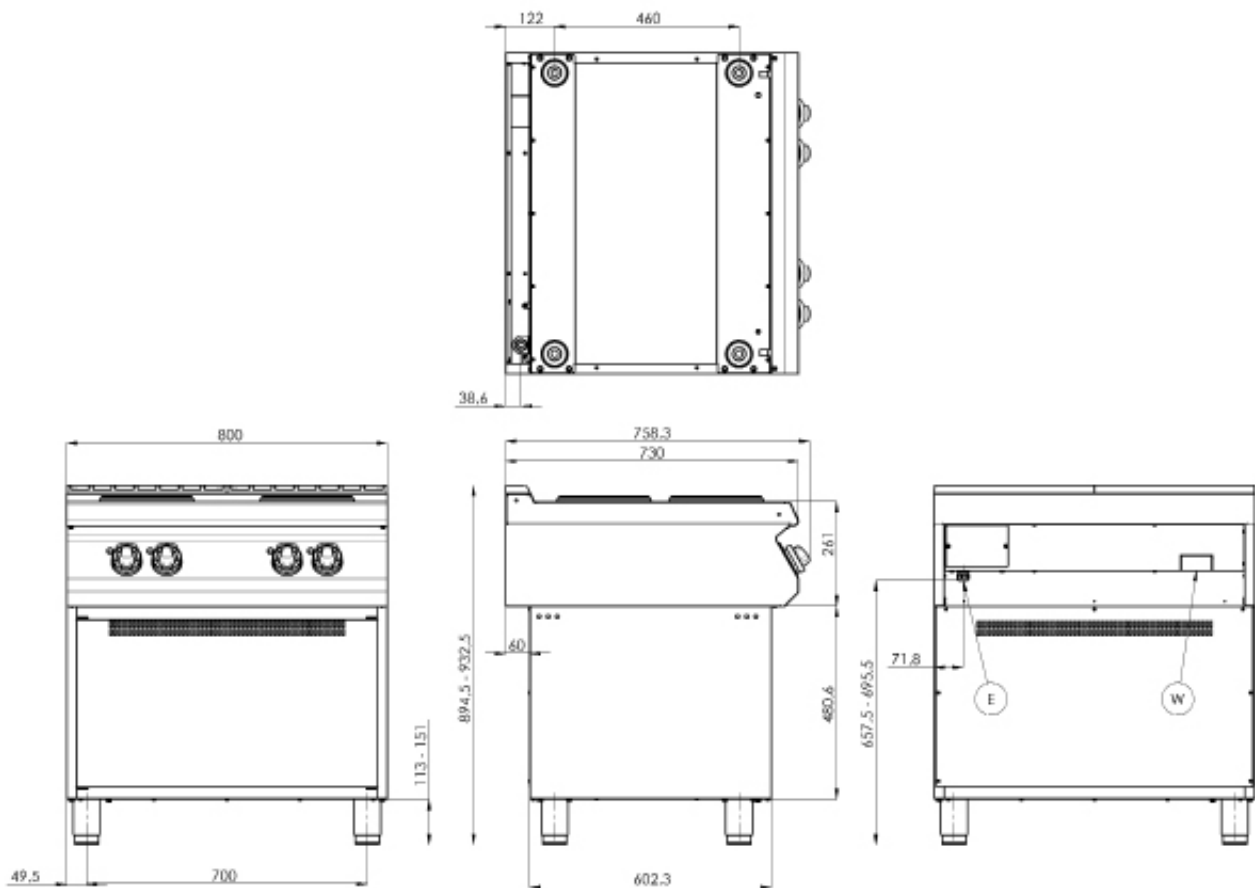
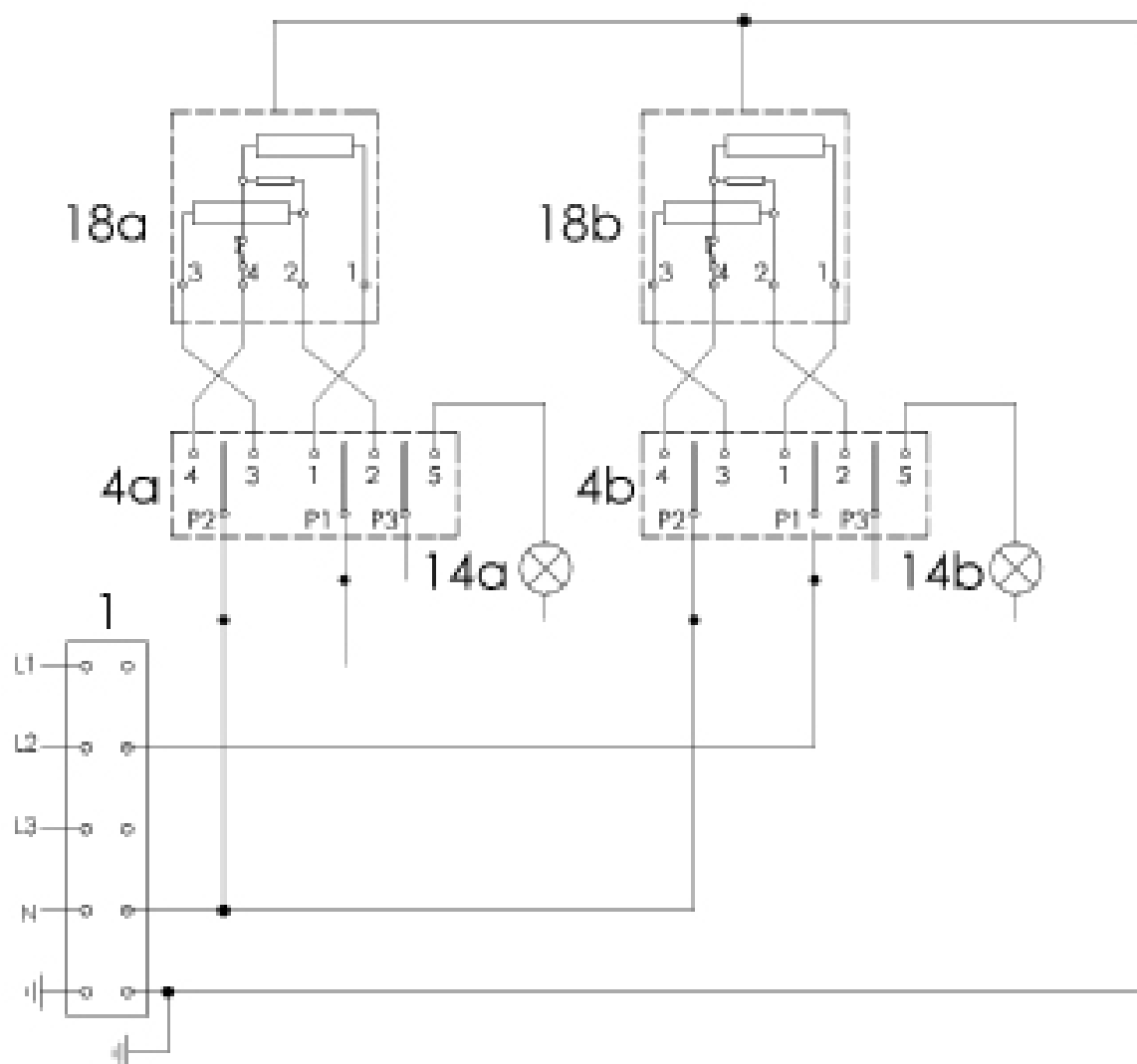


SCHÉMA ZAPOJENÍ SCHEMAT PODŁĄCZENIA:

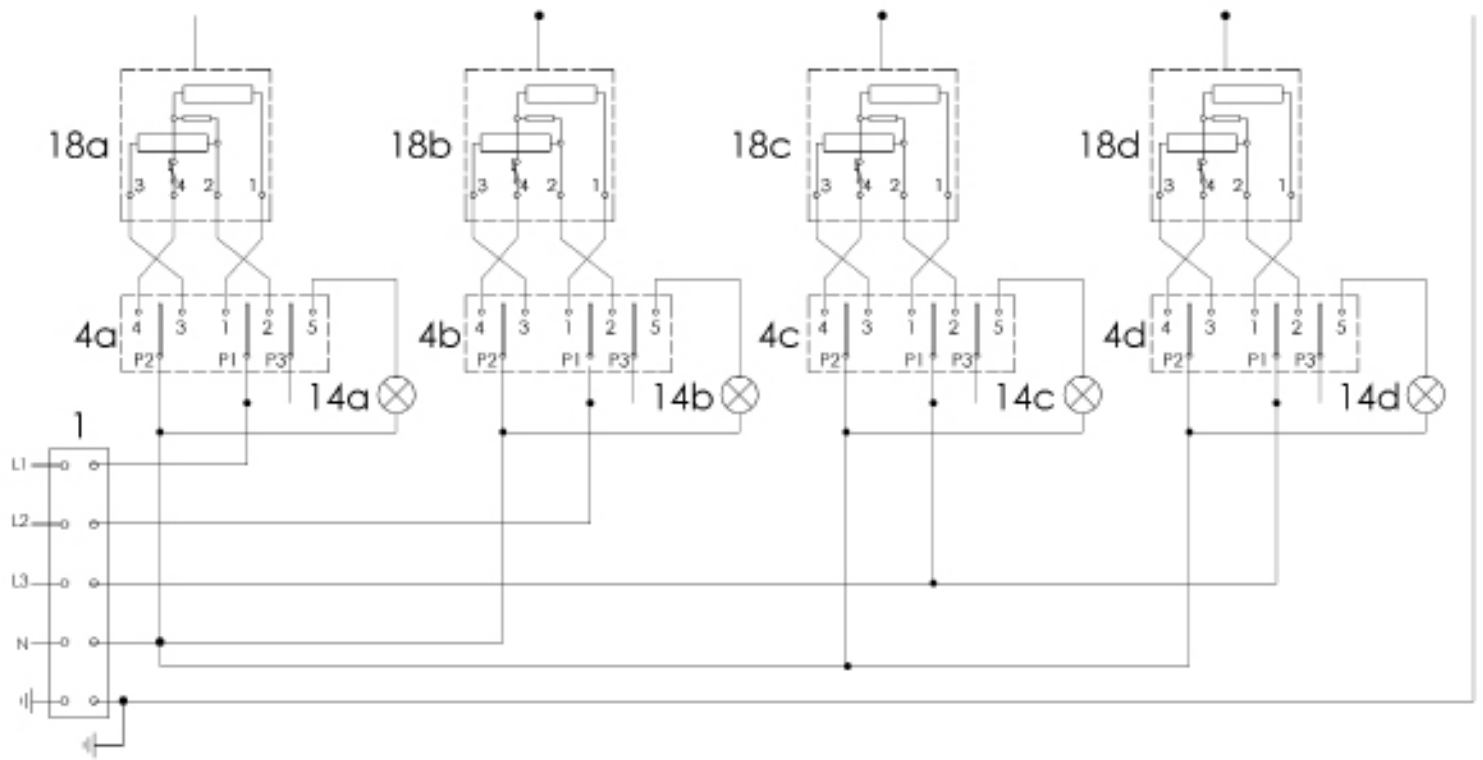
SP-704 E

SP-740 E

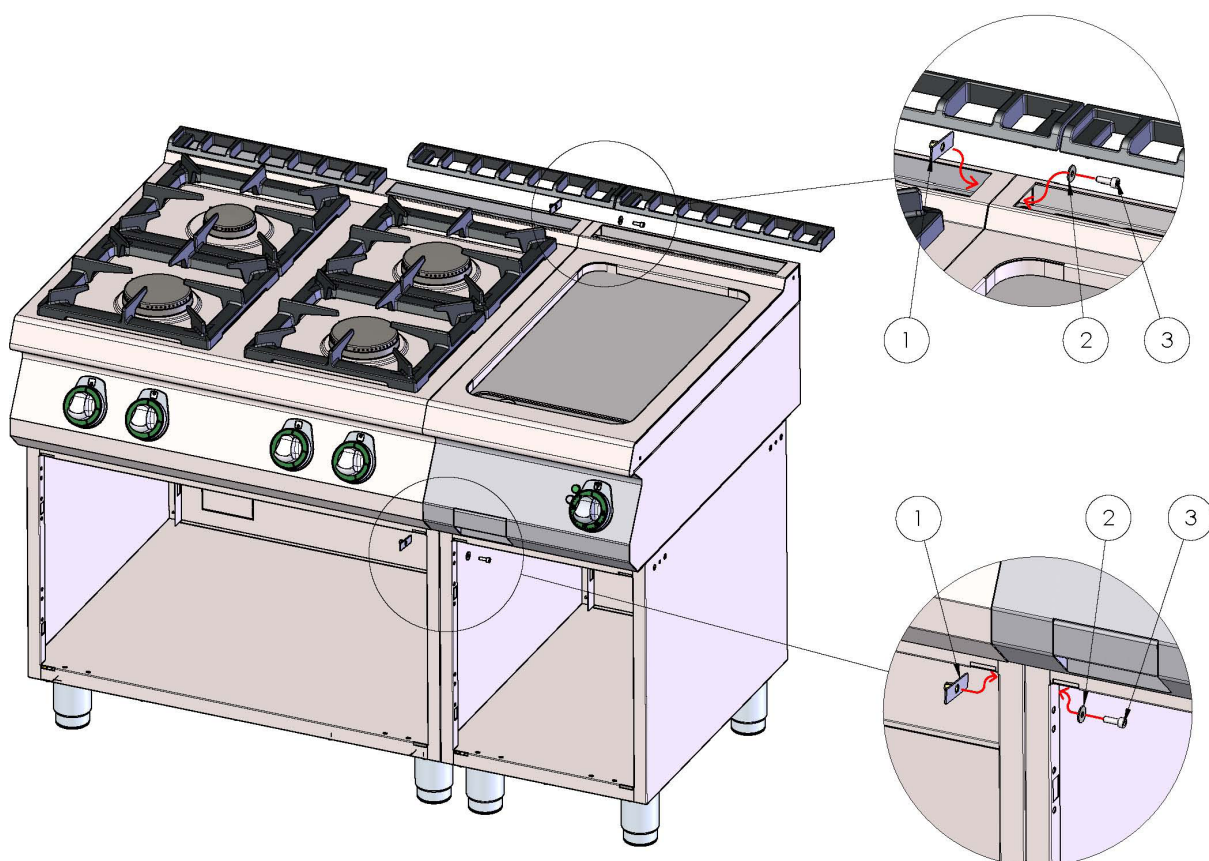
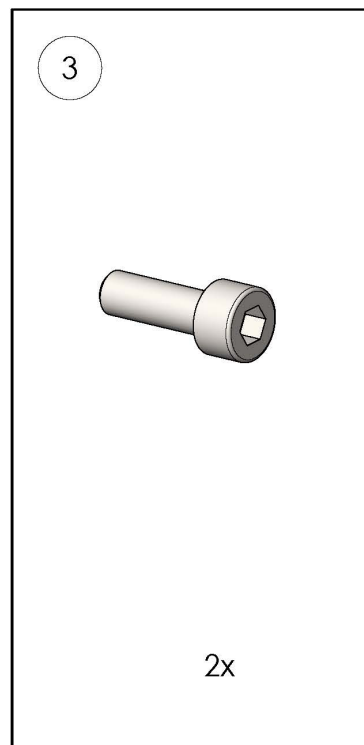
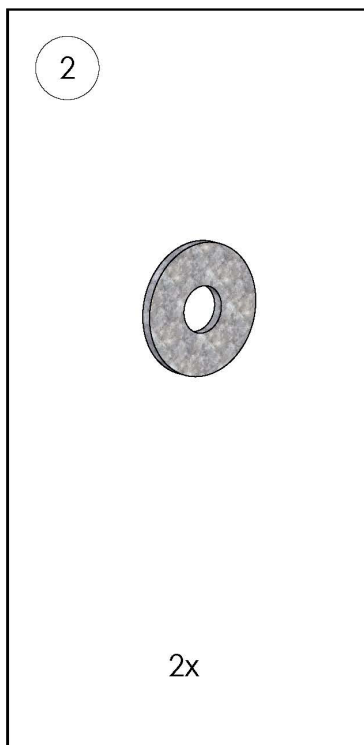
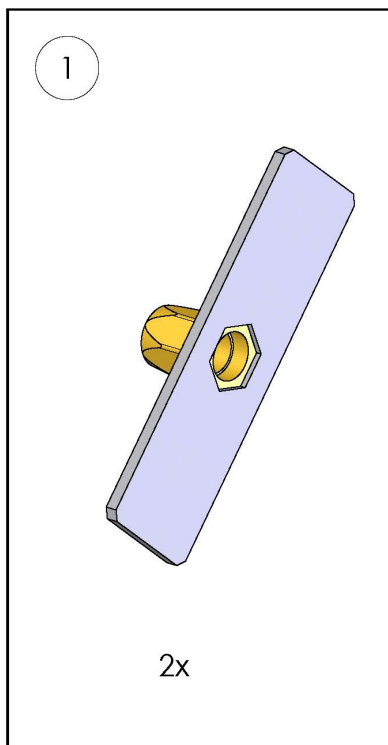


SP-708 E

SP-780 E



SPOJENÍ MODULŮ



List of service organizations:

CZ: RM GASTRO CZ s. r. o., Náchodská 818/16, Praha 9

Tel. +420 281 926 604, info@rmgastro.cz, www.rmgastro.cz

SK: RM Gastro Slovakia, Rybárska 1, Nové Město nad Váhom

Tel.: +421 32 7717061, obchod@rmgastro.sk, www.rmgastro.sk

PL: RM GASTRO Polska Sp. z o. o., ul. Skoczowska 94, 43-450 Ustroń

Tel.: +33 854 73 26, www.rmgastro.pl